

GROCO CP SERIES / JABSCO 18XXX SERIES

CONTENTS

GROCO CP20 SERIES

PUMPING PRINCIPLES

ENGINE COOLING

ENGINEERING TABLES

TROUBLE-SHOOTING GUIDE

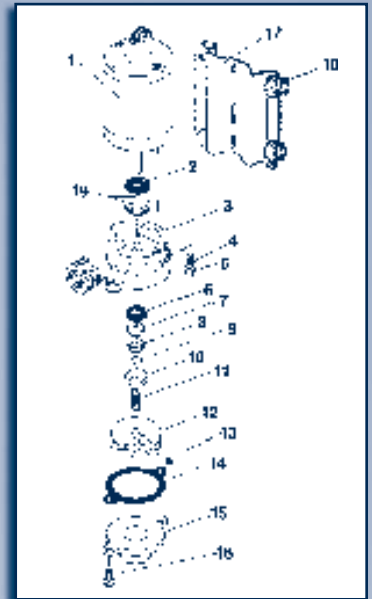
INDEX

HOME

NEXT

BACK

Item	CP-20	CP-20-S	Part Name	Part Number	Qty.
1	(Voltage) B	(Voltage) B	Motor		1
2	SP-95	-	Slinger		1
3	CP-20-A	CP-20-S	Body Casting		1
4	10ETS	10ETS	Washer		2
5	1032X12HS	1032X12HS	Bolt		2
• 6-11	69026	69026	Seal Assembly		1
12	CP-55	CP-55	Impeller		1
13	14X14SET	14X14SET	Set Screw		1
• 14	CP-56	CP-56	Cover Gasket		1
15	CP-58-H	CP-58-H	Cover Casting		1
16	1420X34HB	1420X34HB	Screws		1
17	B-200	-	Base		1
18	B-200-G	-	Grommet		4
• 19	031-075-8	-	Seal		1
-	-	-	Cover		1
-	-	-	Switch		1
-	-	-	Screw		1
-	-	SBP-204	Motor Boot		1
-	-	GS-4-SS	Clamp		1
-	-	HS-52-SS	Clamp		1
		P-2	• Repair Kit		



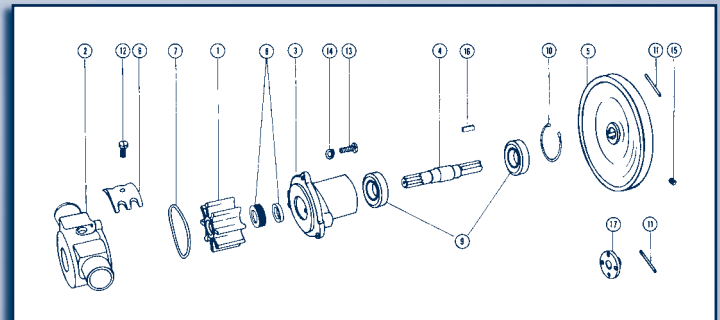
JABSCO BREAKDOWNS FOR 18825 / 18830 / 18840 / 18930 / 18940

Key	Description	Part No.	Qty.
1.	Impeller		
	18825-0010	17937-0001	1
	18830, 18840 Series	1210-0001	1
	18830-1020	3085-0001	1
	18840-1010	3085-0001	1
	18930, 18940 Series	11979-0001	1
2.	Impeller Housing		
	18825-0010	18826-0001	1
	18830, 18840 Series	18834-1000	1
	18930, 18940 Series	18944-1000	1
3.	Bearing Housing		
	18830, 18930 Series	18833-1000	1
	18825, 18840, 18940 Series	18943-1000	1
4.	Shaft		
	18825-0010	18827-1000	1
	All Other 1" & 1 1/4" Models	18836-1000	1
5.	Pulley	18753-0006	1
6.	Cam		
	18825-0010	18829-1000	1
	18830, 18840 Series	490-0001	1
	18930, 18940 Series	10182-0000	1
7.	O-ring	18753-0005	1
8.	Seal	96080-0080	1
9.	Ball Bearings	92600-0120	2
10.	Retaining Ring	See Hdw. Kit	1
11.	Roll Pin	See Hdw. Kit	1
12.	Cam Screw		
	18830, 18840 Series	91003-0010	1
	18825, 18930, 18940 Series	91004-0090	1
13.	Screw Kit (3 ea. w/Washers)	18753-0001	1
16.	Key	See Hdw. Kit	1
17.	Pulley Adaptor	18835-1000	1
	Hdw Kit.	18753-0010	

With Pulley Adaptor
18830-0000 (1" Ports)
18930-0000 (1 1/4" Ports)

With Pulley
18830-0010 (1" Ports)
18930-0010 (1 1/4" Ports)

With Keyed Shaft
18830-1020 (1" Ports)
18930-0020 (1 1/4" Ports)



With Pulley
18840-0010 (1" Ports)
18940-0010 (1 1/4" Ports)
18825-0010 (1 1/2" Ports)

