

JABSCO
T / H / HT 6.354M



9990-21 / 9990-41

Perkins # 2488324

JABSCO
M20



29350-1001

Perkins

JABSCO
M25-30 / 30-60 / 3HD20 / 80T



29450-1101 / 1201

Perkins

JABSCO
4.99M / PRIMA



29500-1001 / 1201

Perkins


| Jabco # | Description | Qty. |
|------------|----------------|------|
| 1210-0001 | Impeller | 1 |
| 18753-0049 | Mech. seal | 1 |
| 3298-0000 | Gasket | 1 |
| 11830-0000 | End cover | 1 |
| 91002-0020 | Cover screws | 6 |
| 490-0001 | Cam | 1 |
| 91003-0010 | Cam screw | 1 |
| 7883-0000 | Wearplate | 1 |
| 92600-0130 | Ball bearing | 2 |
| 92700-0060 | Oil Seal | 1 |
| SP2701-15 | Outer brg seal | 1 |

| Jabco # | Description | Qty. |
|-------------|-----------------|------|
| 4528-0001 | Impeller | 1 |
| 1126-0000 | Gasket | 1 |
| 92701-0140 | Seal | 1 |
| 91002-0010 | Cover Screw | 6 |
| 42710-0000 | Cam & Wearplate | 1 |
| 91002-0020 | Cam Screw | 1 |
| 92701-0140 | Oil Seal | 1 |
| SP2601-0459 | Bearing | 2 |
| 29357-0000 | Shaft | 1 |
| 11835-0000 | Cover | 1 |

| Jabco # | Description | Qty. |
|-------------|--------------|------|
| 18673-0001 | Impeller | 1 |
| 92700-0050 | Water seal | 1 |
| 2995-0000 | Gasket | 1 |
| 11830-0000 | End cover | 1 |
| 91002-0010 | Cover screws | 6 |
| 2907-0001 | Cam | 1 |
| 91002-0020 | Cam screw | 1 |
| SP2601-0457 | Ball bearing | 2 |
| 92700-0050 | Oil Seal | 1 |
| 29457-0010 | Shaft (1101) | 1 |
| 29457-0020 | Shaft (1201) | 1 |

| Jabco # | Description | Qty. |
|-------------|--------------|------|
| 1210-0001 | Impeller | 1 |
| 3298-0000 | Gasket | 1 |
| SP2700-1027 | Seal | 1 |
| 91002-0020 | Cover Screw | 6 |
| 490-0001 | Cam | 1 |
| 91003-0010 | Cam Screw | 1 |
| SP2700-1027 | Oil Seal | 1 |
| SP2601-0451 | Bearing | 2 |
| 29508-0000 | Shaft (1001) | 1 |
| 29518-0000 | Shaft (1201) | 1 |
| 7883-0000 | Wearplate | 1 |
| 11830-0000 | Cover | 1 |

JABSCO
V8.510 / TV8.5410



21180 / 21180-05

Perkins # 2488323

| Jabco # | Description | Qty. |
|------------|------------------|------|
| 836-0001 | Impeller | 1 |
| 6408-0000 | Mech. seal | 1 |
| 816-0000 | Gasket | 1 |
| 12062-0000 | End cover | 1 |
| 91005-0040 | Cover screws | 5 |
| 834-0001 | Cam (21180) | 1 |
| 91005-0040 | Screw (21180) | 1 |
| 2551-0000 | Cam (21180-05) | 1 |
| 91005-0050 | Screw (21180-05) | 1 |
| 2574-0000 | Wearplate | 1 |
| SP21601-30 | Ball bearing | 2 |
| SP2701-51 | Oil Seal | 1 |

Perkins Impeller Cross Reference

| Perkins Part # | Depco Part # |
|----------------|---------------|
| 0460024 | JA 920-0001 |
| 0460027 | JA 836-0001 |
| 0460038 | JA 1210-0001 |
| 24880031 | JA 920-0001 |
| 24880178 | SH 9959K |
| 24880190 | JA 1210-0001 |
| 24880194 | JA 18673-0001 |
| 24880272 | JA 4528-0001 |
| NA900010 | SH 9959K |
| NA900012 | SH 10615K |

JABSCO



30410-9001

Northern Lights # 25-12057

| Part # | Description | Qty. |
|------------|---------------|------|
| 1210-0001 | Impeller | 1 |
| 96080-0080 | Mech seal | 1 |
| 11836-0000 | End cover | 1 |
| 18753-0133 | Cover o-ring | 1 |
| 7884-0000 | Cam/wearplate | 1 |
| 92600-0120 | Ball bearings | 2 |
| 92700-0060 | Bearing seal | 1 |
| 3286-0000 | Slinger | 1 |
| OB 5925 | Lg. snap ring | 1 |
| OB 5926 | Sm. snap ring | 1 |
| 30414-0000 | Shaft | 1 |
| 18753-0134 | Screw Kit | 1 |

JABSCO

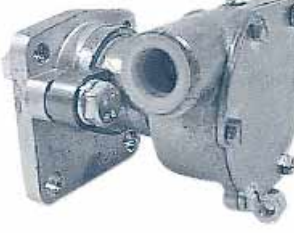


30415-7001

Northern Lights # 25-12007

| Part # | Description | Qty. |
|------------|--------------|------|
| 18673-0001 | Impeller | 1 |
| 96080-0080 | Mech. seal | 1 |
| 18753-0125 | O-ring | 1 |
| 92601-0474 | Ball bearing | 2 |
| 18753-0630 | Bearing seal | 1 |
| 18753-0628 | Snap ring | 1 |
| 30417-0000 | Shaft | 1 |
| 30418-0000 | End cover | 1 |
| 30424-0000 | Cam | 1 |

JOHNSON



10-24335-1

Northern Lights

| Part # | Description | Qty. |
|-----------|-----------------|------|
| 810B | Impeller | 1 |
| 05-29-139 | Lip seal | 2 |
| 01-45955 | Seal spacer | 1 |
| 01-45284 | Gasket | 1 |
| 01-45282 | End cover | 1 |
| 05-04-163 | Cover screw | 6 |
| 05-08-503 | Ball bearing | 2 |
| 05-34-501 | Snap ring | 1 |
| 01-42389 | Cam | 1 |
| 05-04-114 | Cam screw | 1 |
| 05-01-120 | Screw washer | 1 |
| 01-46046 | Shaft | 1 |
| 05-05-117 | Shaft nut | 1 |
| 05-01-122 | Shaft washer | 1 |
| 05-06-521 | Mounting o-ring | 1 |