

MERCURISER
(standard pump)



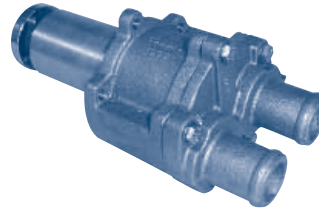
46-72774-A32

MERCURISER
(pump with fuel pump flange)



46-807151A-9

JABSCO
(all bronze replacement)



43210-0001

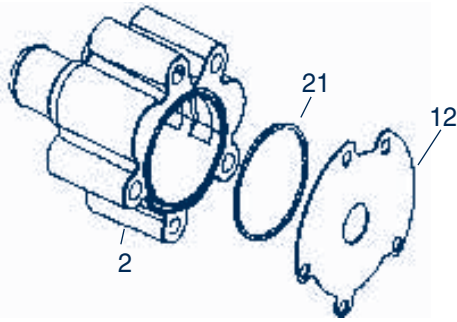
REPLACEMENT IMPELLERS



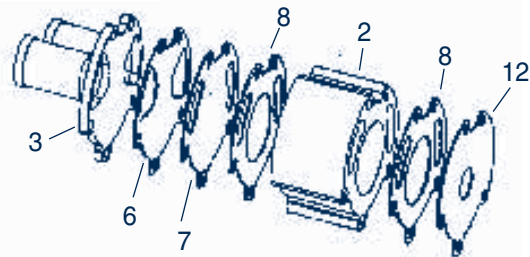
SH 19000
(Key Drive)

47-59362
(Flat Drive)

New Style 2-Piece Body (46807151-N14 includes 2-12)



Old Style 2-Piece Body



ITEM NUMBER	PARTS FOR 46-72774-A32	PARTS FOR 46-807151A-9	DESCRIPTION
2	46-807151-A14	46-807151-A14	New Style Body Kit (Replaces items 2-12)
3	87631-A4	See Item 2	Cover
4	(5) 10-73275	(2) 10-807356 (3) 10-74822	Screw Screw
5	12-20084	12-814806	Washer
6	27-94915	27-94915	Gasket
7	94916	94916	Wearplate
8	27-94914	27-94914	Gasket (2 required)
9	19-59504	19-59504	Plug
10	47-59362	47-59362	Impeller
11	28-56662	28-56662	Key
12	94576	94576	Wearplate
13	25-94288	25-94288	Quad Ring
14	46-94913A	49-94913A 5	Pump Housing
15	26-90562	26-90562	Oil Seal
16	30-72961	30-72961	Ball Bearing
17	59501-A1	59501-A1	Shaft
18	53-23720	52-23720	Snap Ring
19	26-72785	26-72785	Oil Seal
20	47530 (Hub)	807731 (Pulley)	
21	25-33465	25-33465	Body O'Ring

JABSCO 43210-0001 (see picture above)
(Replaces 46-72774-A32)

Part #	Description	Qty.
17954-0001	Impeller.....	1
92650-0120	Pipe Plug 1/8".....	1
18753-0314	Screw/Washer.....	5
43208-1000	End Plate.....	1
43205-1000	Gasket.....	1
43175-1000	Drive Key, Impeller.....	1
43176-1000	Cam/Wearplate.....	1
18753-0328	Seal.....	1
92000-0540	O-ring.....	1
43209-1000	Body.....	1
92000-0120	Slinger (O-ring).....	1
18753-0318	Bearings.....	2
43207-1000	Shaft.....	1
18753-0345	Retaining Ring.....	2
91401-0100	Woodruff Key.....	1
18753-0323	Retaining Ring.....	1

FOR ENGINEERING AND PUMP SELECTION ASSISTANCE CALL DEPCO AT 1-800-445-1656