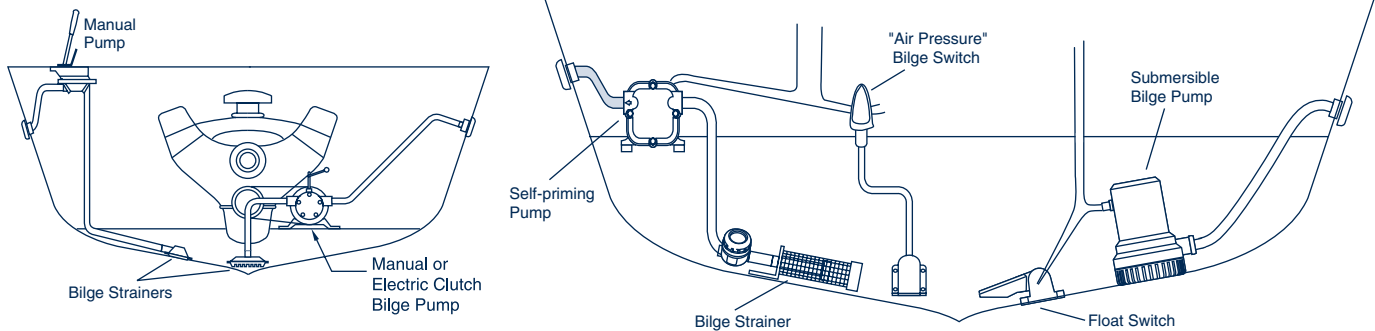


**TYPICAL BILGE PUMP INSTALLATIONS**



Emptying the bilge protects your investment and can even save your life. We recommend having a back-up system in the event your primary system fails. A separate power source or hand operation is an ideal trait for your back-up system. Your available bilge pump choices include AC or DC voltage, self-priming or submersible, automatic or manual, and hand operation.

**“Wakeboard”  
Ballast Pump**



**Jabsco's 18220-0121**

Today's wakeboard and ski tow boats often take on water ballast in a forward mounted bladder tank to fine-tune their wake. This self-priming reversible pump by Jabsco speeds and simplifies this process by transferring in or out up to 80 lbs. of water per minute!

**115 vac Automatic  
Bronze Bilge Pump**



**3250 GPH – LG 8CBA**

This rugged 115 vac submersible bilge pump provides dependable protection for your unattended vessel. Shore power insures its operation even when your batteries fail. Each pump comes equipped with a stationary switch that does not require any swing room. (See page 30)

**8000 GPH in 12 vdc  
Manual or Automatic**



**Rule's 174 Series**

This is our largest 12 vdc submersible bilge pump. It incorporates two manifolded 4000 GPH pumps that can be wired and operated separately. Even if one pump fails, the other will continue to empty your bilge. (See page 24)

**Self-Priming Electric or  
Manual Clutch Driven**



**1 1/2" - 3" MP Flomax**

Up to 18,000 GPH can be achieved with the above 3" electric clutch driven pump. Other versions are available with manually operated clutch and/or smaller ports. Flexible impeller versions are also available from Jabsco, Oberdorfer or Johnson. (See page 27)

**115 vac Shower, Sink and  
Sewage Pump with Sump**



**Lancaster #399**

This unique automatic pump incorporates its own collection sump and is ideal for shower, grey water or sewage. Its open impeller design will pass solids including garbage disposal waste. (See page 31)

**6 & 32 vdc Submersible  
Bilge Pumps**



**Lovett**

Do you have a “Classic” Chris Craft with 6 vdc or an older large vessel with 32 vdc? Do not despair... Lovett manufactures pumps that will keep your bilges dry. (See page 23). Depco specializes in unique voltage pumps – give us a call for all your needs.

**Heavy-duty Bronze  
Diaphragm Bilge Pumps**



**Bosworth**

We will supply this heavy-duty dry-running diaphragm pump with your choice of DC or AC voltages to meet your specific needs. It will move up to 20 GPM and pass the typical solids found in the bilge. (See page 26)

**14,000 GPH Gasoline  
or Diesel Driven**



**Honda, Briggs or Yanmar**

These lightweight self-priming emergency bilge pumps will move a tremendous amount of water at an economical price. They come with a Honda or Briggs gasoline engine or a Yanmar diesel engine. (See page 30)