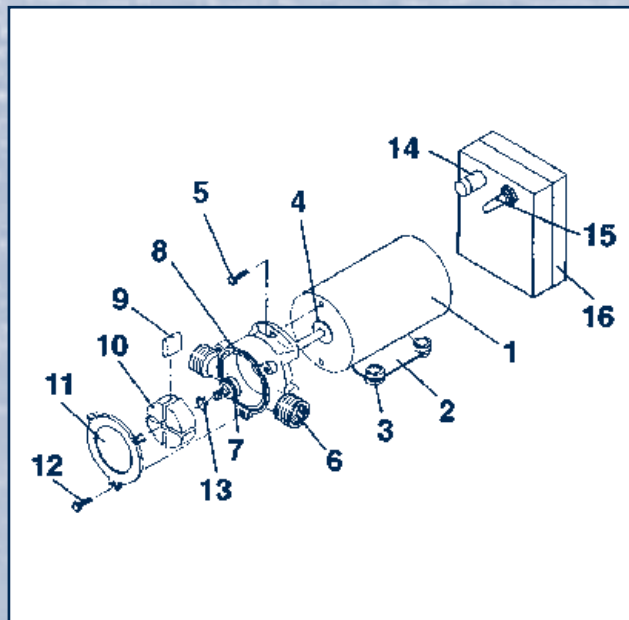


## “SPO” & “C” SERIES SERVICE PARTS

(Use SPO-60 for C-60 parts, SPO-80 for C-80 parts, Pressure Switch for C-60 is IPS-35, C-80 is IPS-40)

(Use items 1-14 for *Non-Reversing*; Use all items for *Reversing*.)

| Item | SP-50<br>(Mfg.<br>1977-89) | SPO-30<br>(Mfg.<br>1962-89) | SPO-40<br>(Mfg.<br>1989-Pres.) | BMX3-60<br>SPO-60<br>(Mfg.<br>1989-Pres) | BMX3-80<br>SPO-80<br>(Mfg.<br>1989-Pres.) | Part<br>Name      | Qty. |
|------|----------------------------|-----------------------------|--------------------------------|--|---|-------------------|------|
| 1    | (Voltage)-E**              | (Voltage)-F                 | (Voltage)-F-RAE                | (Voltage)-F                              | (Voltage)-F-RAE                           | Motor             | 1    |
| 2    | B-200                      | B-200                       | B-200                          | B-200                                    | B-200                                     | Base              | 1    |
| 3    | B-200-G                    | B-200-G                     | B-200-G                        | B-200-G                                  | B-200-G                                   | Grommet           | 4    |
| 5    | 10ETS                      | 10ETS                       | 10ETS                          | 10ETS                                    | 10ETS                                     | Lockwasher        | 2    |
| 6    | SP-95                      | SP-95                       | SP-95                          | SP-95                                    | SP-95                                     | Slinger           | 1    |
| 7    | 1032X12HS                  | 1032X12HS                   | 1032X12HS                      | 1032X12HS                                | 1032X12HS                                 | Screw             | 2    |
| 8    | SP-50-B                    | SP-50-B                     | SP-50-B                        | SP-49-B                                  | SP-49-B                                   | Body Casting      | 1    |
| • 9  | 031-075-8                  | 031-075-8                   | 031-075-8                      | 69089                                    | 69089                                     | Shaft Seal        | 1    |
| 10   | —                          | —                           | —                              | Snap Ring-1                              | Snap Ring-1                               | Snap Ring         | 1    |
| 11   | SP-99                      | SP-99                       | SP-99                          | SP-99                                    | SP-99                                     | Blades Set        | 4    |
| 12   | SP-94                      | SP-94                       | SP-94                          | SP-94                                    | SP-94                                     | Rotor             | 1    |
| • 13 | SP-77                      | { SP-77                     | SP-77                          | 2-034                                    | 2-034                                     | Cover Seal        | 1    |
| 14   | SP-91                      | SP-91                       | SP-91                          | SP-91                                    | SP-91                                     | Cover             | 1    |
| 15   | 1024X12RB                  | 1024X12RB                   | 1024X12RB                      | 1024X12RB                                | 1024X12RB                                 | Screw             | 3    |
| 16   | 26053-73                   | 26053-73                    | 26053-73                       | Switch - 4                               | Switch - 4                                | Reversing Switch  | 1    |
| 17   | —                          | —                           | —                              | Rev-B Assy (Volts)                       | Rev-B Assy (Volts)                        | Reversing Control | 1    |
| 18   | —                          | HKP                         | HKP                            | HKP                                      | HKP                                       | Fuse Holder       | 1    |
| 19   | 832X38RS                   | 832X38RS                    | 832X38RS                       | 832X38RS                                 | 832X38RS                                  | Screw             | 1    |
| P-1  |                            | P-5                         |                                | • Repair Kit                             |   |                   |      |



(\*\*) “E” Series motors are no longer available. Customers with SP-50 series pumps must upgrade to the “F” Series motor.

## “WSC” SERIES SERVICE PARTS

| Repair<br>KIT  | WSC-50<br>(Mfg.<br>1985-1989) | WSC-70<br>(Mfg.<br>1985-1989) | WSC-60<br>(Mfg.<br>1989-PRESENT)   | WSC-80<br>(Mfg.<br>1989-PRESENT)  | PART<br>NAME     | QTY. |
|----------------|-------------------------------|-------------------------------|--|---|------------------|------|
| 1              | (Voltage)-F                   | (Voltage)-F-RAE               | (Voltage)-F  | (Voltage)-F-RAE   | Motor            | 1    |
| 2              | B-200                         | B-200                         | B-200  | B-200   | Base             | 1    |
| 3              | B-200 G                       | B-200 G                       | B-200 G  | B-200 G   | Grommet          | 4    |
| 4              | 832X38PS                      | 832X38PS                      | 832X38PS   | 832X38PS  | Screw            | 2    |
| 5              | 10ETS                         | 10ETS                         | 10ETS  | 10ETS   | Lockwasher       | 4    |
| 6              | SP-95                         | SP-95                         | SP-95  | SP-95   | Slinger Washer   | 1    |
| 7              | 1032X12HS                     | 1032X12HS                     | 1032X12HS  | 1032X12HS   | Screw            | 2    |
| 8              | SP-50-B                       | SP-50-B                       | SP-49-B  | SP-49-B   | Pump Housing     | 1    |
| • 9            | 031-075-8                     | 031-075-8                     | 69089  | 69089   | Shaft Seal       | 1    |
| • 10           | --                            | --                            | Snap Ring-1  | Snap Ring-1   | Seal Snap Ring   | 1    |
| 11             | SP-98                         | SP-98                         | SP-98  | SP-98   | Blades Set (8)   | 1    |
| 12             | SP-99-A                       | SP-99-A                       | SP-99-A  | SP-99-A   | Rotor (8 slots)  | 1    |
| • 13           | SP-77                         | SP-77                         | 2-034  | 2-034   | Cover Seal       | 1    |
| 14             | SP-91                         | SP-91                         | SP-91  | SP-91   | Cover            | 1    |
| 15             | 1024X12HB                     | 1024X12HB                     | 1024X12HB  | 1024X12HB   | Screw            | 3    |
| 16             | { 69-WFC                      | 69-WFC                        | 69-WFC (Before S/N 0991)<br>69-A (S/N 0991-0193)<br>IPS-35 (After S/N 0992)<br>IPS-38 (After S/N 0196)<br>IPS-383 (Voltage)<br>(After S/N -0696) | 69-WFC (After S/N 0991)<br>69-A (S/N 0991-0193)<br>IPS-40 (After S/N -0193)<br>IPS-38 (After S/N 0196)<br>PS-383 (Voltage)<br>(After S/N -0696) | Pressure Switch  | 1    |
| 17             | P-9021                        | P-9021                        | P-9021A  | P-9021A   | Check Valve      | 1    |
| 19             | GHFX750M                      | GHFX750M                      | GHFX750M   | GHFX750M  | Adaptor          | 1    |
| 20             | C-59                          | C-59                          | C-59   | C-59  | Bracket          | 1    |
| 21             | 1420X12RB                     | 1420X12RB                     | 1420X12RB  | 1420X12RB   | Screw            | 1    |
| (Not<br>Shown) | Terminal Block-7              | Terminal Block-1              | Terminal Block-7   | Terminal Block-1  | Terminal Block   | 1    |
|                | C-58                          | C-58                          | C-58   | C-58  | Strap            | 1    |
|                | --                            | --                            | ETM (Voltage)<br>(After S/N 0991)  | ETM (Voltage)<br>(AFTER S/N 0991)   | Dry Tank Control | 1    |
|                |                               |                               | P-6003 (Voltage)<br>(After S/N 0992)   | P-6003 (Voltage)<br>(AFTER S/N 0992)  | Solenoid         | 1    |
| P-1            |                               | P-5                           |  | • Repair Kit  |                  |      |

