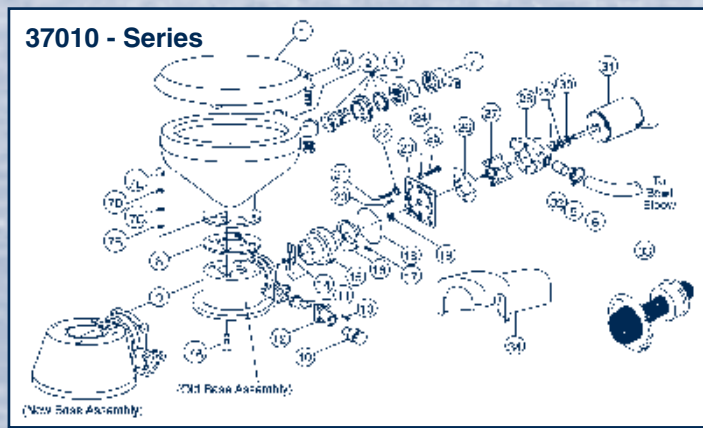


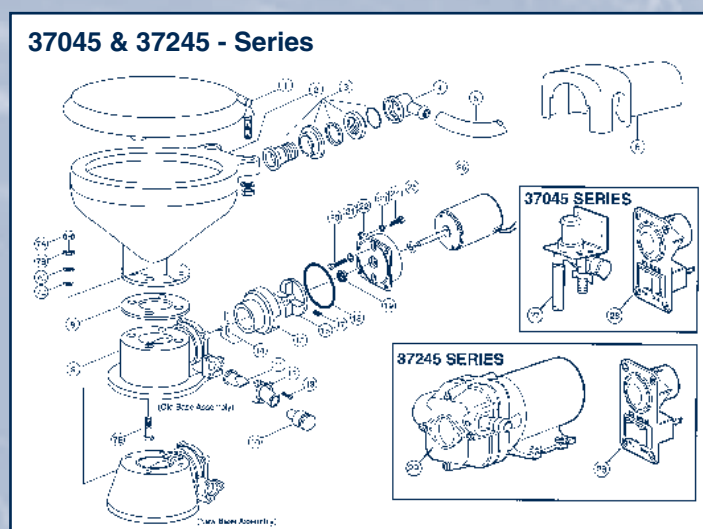
PARTS LIST			QTY. PER TOILET	PART NO.	QTY. PER REPAIR KIT		
KEY	DESCRIPTION				A	B	C
1	Seat & Cover	Compact Size	1	18753-0437			
	Seat & Cover	Household Size	1	18753-0438			
1a	Hinge Only		1	18753-0181			
2	Bowl	Compact Size	1	59127-7002			
	Bowl	Household Size	1	18753-0060			
3	Bowl Spud		1	29048-0000			
4	Intake Elbow & O-ring						
5	Clamp		1	18753-0044			
6	Hose		1	29035-0001			
7	Bowl Install. Hardware		1	18753-0472		1	
	7a	Hex Head Screw	4				
	7b	Washer, Plastic	4				
	7c	Washer	4				
	7d	Hex Nut	4				
	7e	Nut Cap	4				
8	Gasket		1	37017-0000	1	1	
9	Base Assembly		1	37004-1000	1		
10	1-1/2" Adaptor Discharge Port		1	98023-0080			
11	Joker Valve		1	44106-1000	1	1	
12	1" Discharge Port		1	44107-1000	1	1	
13	Screw		3	96050-0568	3		
14	Chopper Plate With Lock Nut		1	37056-1000			1
15	Macerator Housing		1	37014-0000		1	
16	Centrifugal Impeller		1	37006-0000			1
17	Set Screw		1	91084-0320			1
18	O-ring		1	43990-0066	1		1
19	Seal Sleeve		1	37036-1000	1		
20	Screw		2	91009-0096			2
21	Screw		2	91010-0130			2
22	Washer, Plastic		2	35445-0000	2		2
23	Wearplate (W/key #19)		1	37018-0000			1
24	Lock Washer #10, Stainless Kit		4				4
25	Screw		4	91027-0011			4
26	Gasket		1	12558-0000	1		1
27	Flexible Impeller		1	6303-0003	1		1
28	Body		1	12554-00000			1
29	Seal & Retainer		1	1040-0000	1		1
30	Slinger		1	6342-0000			1
31	Motor - 12 Volt		1	37064-0000			
	Motor - 24 Volt		1	37065-0000			1
	Motor - 32 Volt		1	37066-0000			
32	Adaptor		2	93003-0240			2
33	Switch & Plate		1	37020-0000			
34	Motor Cover		1	43990-0051			1



REPAIR KITS AVAILABLE

Kit	Part No.	Description	
A	37040-0000	Service Kit	
B	37004-1000	Base/disch. Elbow Assy.	
C	37041-0010	Motor/pump Assy.	12 Volt
	37041-0011		24 Volt
	37041-0012		32 Volt

PARTS LIST			QTY. PER TOILET	PART NO.
KEY	DESCRIPTION			
1	Seat & Cover, Compact Size	1	18753-0437	
	Seat & Cover, Household Size	1	18753-0438	
2	Bowl, Compact Size	1	59127-7002	
	Bowl, Household Size	1	18753-0060	
3	Bowl Spud	1	29048-0000	
4	Intake Elbow & O-ring	1		
5	Hose, 6 feet	1	29035-1031	
6	Motor Cover	1	37042-1000	
7	Bowl Installation Hardware	1	18753-0472	
	7A Nut Cap**	4		
	7B Hex nut**	4		
	7C Washer, Stainless Steel**	4		
	7D Washer, Plastic**	4		
	7E Hex Head Screw**	4		
8	Gasket*	1	37017-0000	
9	Base Assembly**	1	37004-1000	
10	1-1/2" Adaptor, Discharge Port	1	98023-0080	
11	Joker Valve**	1	44106-1000	
12	1" Discharge Port**	1	44107-1000	
13	Screw**	3	96050-0568	
14	Chopper Plate with Lock Nut	1	37056-1000	
15	Macerator Housing	1	37014-0000	
16	Centrifugal Impeller	1	37006-0000	
17	Set Screw	1	91084-0320	
18	O-ring*	1	43990-0066	
19	Seal	1	1040-0000	
20	Screw	2	91010-0144	
21	Washer, Plastic*	2	35445-0000	
22	Seal Housing	1	37043-1000	
23	Lock Washer #10, Stainless Steel	4		
24	Screw	4	91027-0011	
25	Slinger	1	6342-0000	
26	Motor - 12 Volt	1	18753-0554	
	Motor - 24 Volt	1	18753-0555	
	Motor - 32 Volt	1	18753-0556	



PARTS LIST			
27	Solenoid Valve & Siphon Breaker		
	12 Volt	1	37038-1012
	24 & 32 Volt	1	37038-1024
28	Switch Panel	1	37047-1000
29	PAR-MAX Pump 12 volt	1	30631-1012
		1	30631-1024
	Service Kit	1	90197-0000

*Parts Supplied with Service Kit.

**Parts included with base 37004-1000.