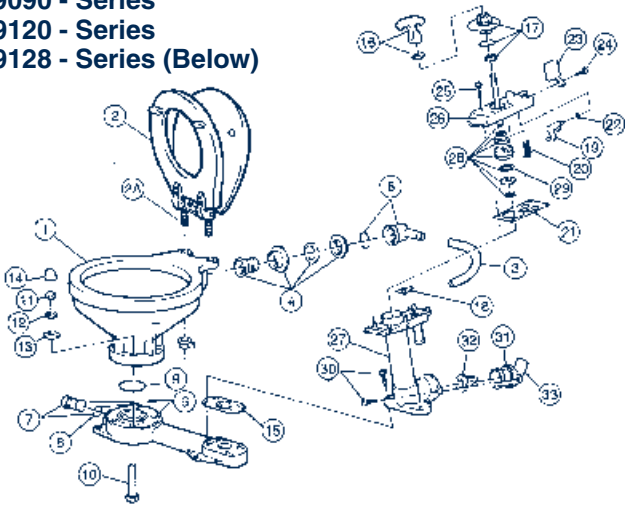


**29090 - Series**  
**29120 - Series**  
**59128 - Series (Below)**



**REPAIR KITS AVAILABLE**

Kit	Part No.	Description
A	29045-2000	Major Service Kit, Pump
B	29040-2000	Pump Assembly
C	29049-2000	Valve Cover & Handle Assembly
D	29051-2000	Pump Cylinder Assembly
E	29047-0000	Bowl Installation Kit

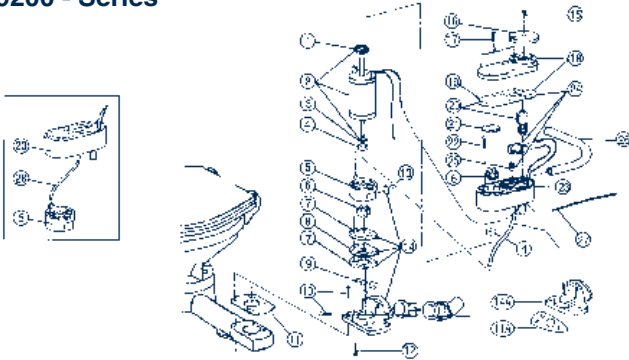
**59128 - Series (Brydon Boy) Service Parts**

59127-7050 = Pump assembly with discharge elbow and joker valve.  
59300-1002 = Service Kit. All seals, gaskets and valves.  
59127-7017 = Piston Rod Seal and Piston O-Ring.

KEY	DESCRIPTION	QTY. PER TOILET	PART NO.	QTY. PER REPAIR KIT				
				A	B	C	D	E
1	Bowl Compact Large	1 1	59127-7002 18753-0060					
2	Seat, Lid & Hinge Set Compact Large	1 1	18753-0437 18753-0438					
2a	Hinge Kit	1	18753-0181					
3	Hose Compact Large	1 1	29035-0000 29035-0001					
4	Bowl Spud	1						
5	Intake Elbow & O-ring	1						
6	Base, Plug & O-ring Assy	1	29041-1000					
7	Plug & O-ring Assy	1	29028-1000					
8	O-ring (Plug)	1		1				
9	O-ring (Bowl)	1	44101-1000					1
10	Bolt	4						4
11	Nut	4						4
12	Washer	4						4
13	Washer (Nylon)	4						4
14	Cap	4						4
15	Base Valve Gasket	1	29043-0000	1	1			
16	Handle With Bumper Washer				1			
17	Seal Assembly *	1	29044-2000	1	1	1		
18	Top Valve Seat	1		1	1	1		
19	Cam	1			1	1		
20	Flap Valve Seating Spring	1			1	1		
21	Top Valve Gasket	1	29042-0000	1	1			
22	O-ring (Flush Lever)	1		1	1	1		
23	Flush Control Lever	1			1	1		
24	Screw (Flush Lever)	1		1	1	1		
25	Screw (Valve Control)	6		1	6	6		
26	Valve Cover	1		1	1			
27	Pump Cylinder	1			1	1		
28	Piston, Rod & O-ring Assy	1	29046-0000		1			
29	O-ring (Piston)	1	29017-1000	1				
30	Screw (Pump Cylinder)	6		1	2	2		
31	Discharge Flange	1	29091-0000		1	1		
32	Joker Valve	1	29092-0000	1	1	1		
33	Discharge Elbow	1	29029-0000	1	1	1		

\*For Toilet Models 2909-0000 and 29120-000 (produced prior to 2-98) order Seal/Rod Guide Assembly Number 29044-0000 and Major Service Kit number 29045-0000.

**29200 - Series**



**REPAIR KITS AVAILABLE**

KIT	PART NO.	DESCRIPTION
A	29101-0000	SERVICE KIT
B	29109-0000	HARDWARE KIT
C	29116-1000	WASTE & FLUSH PUMP HOUSING ASSYS.

KEY	DESCRIPTION	QTY. PER TOILET	PART NO.	QTY. PER REPAIR KIT		
				A	B	C
1	Slinger (Large)	1				
2	Motor Assembly 12v 24v	1 1	29108-0120 29108-0240			
3	Slinger (Small)	1		1		
4	Seal	2	18753-0384	2		2
5	Waste Pump Body	1				1
6	Impeller	2	6303-0003	2		
7	Gasket (Paper)	2	18753-0167	2	2	2
8	Wearplate (Stainless Steel)	1	18753-0168		1	
9	Chopper + Lock Nut	1	37056-1000			
10	Mounting Screw	-		1		1
11	Base Gasket (Rubber)	1	29072-1000			
11A	Base Gasket (59128-series)	1	18753-0173			
12	Screw (Waste Pump)	4				4
13	O-ring	1	18753-0169	1		1
14	Macerator Housing	1	29071-1000			
14A	Mac. Housing (59128-series)	1	18753-0172			
15	Screw (Control Knob)	1		1	1	1
16	Control Knob	1	29077-1000			
17	Screw (Flush Pump Cover)	7		1	7	1
18	Flush Pump Cover Assy.	1	29081-1000			
19	Flush Pump Gasket (Cork)	1	29075-1000	1		1
20	Control Valve Assy.	1	29083-1000			
21	Wearplate (Brass)	1	18753-0170		1	
22	Screw (Flush Pump)	2		1	2	1
23	Flush Pump Housing	1				1
24	Switch Assy.	1	29103-1000	1		
25	Switch Spring	1	18753-0171			1
26	Hose (All Toilets)	1	29035-1000			
27	Cable Assy.	1				
28	Bleed Tube	1	29019-1010	1		1

**FOR ENGINEERING AND PUMP SELECTION ASSISTANCE CALL DEPCO AT 1-800-445-1656**