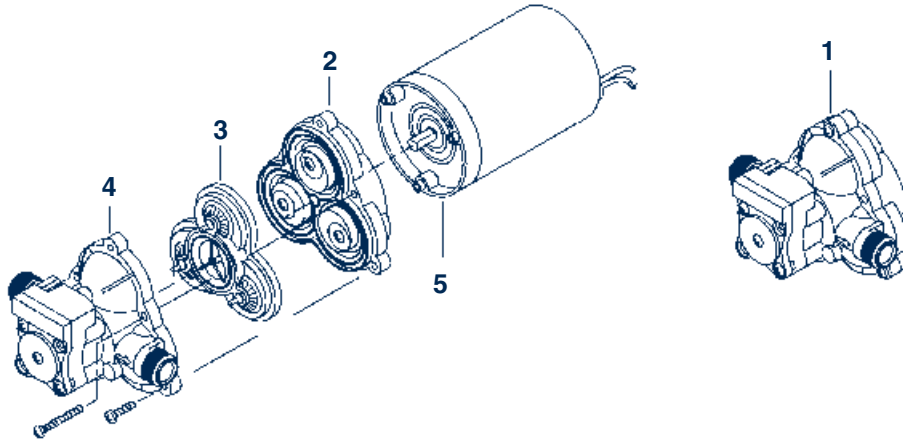


**2088 SERIES**



Name	Model #	Pumphead Repair Kit	Lower Housing**	Valve Assembly	Switch & Upper Housing	Motor
		1	2	3	4	5
Standard	2088-423-344	94-236-03	94-238-04	94-232-06	94-231-10	11-148-06
	2088-423-244	94-236-03	94-238-04	91-232-06		11-148-06
Standard (24 vdc)	2088-573-354	94-236-03	94-238-04	94-232-06	94-231-10	11-142-16
	2088-573-254	94-236-03	94-238-04	94-232-06		11-142-16
Silencer	2093-224-313	94-236-45	94-238-03	94-232-06	94-231-10	11-192-06
	2093-224-213	94-236-45	94-238-03	94-232-06		11-192-06
Deluxe	2088-433-344	94-236-03	94-238-04	94-232-06	94-231-10	11-173-06
	2088-433-244	94-236-03	94-238-04	94-232-06		11-173-06
Premium	2088-414-934	94-236-14	94-238-03	94-232-06	94-231-10	11-185-06
	2088-414-134	94-236-14	94-238-03	94-232-06		11-185-06
Standard Blaster	2088-534-344	94-236-14	94-238-03	94-232-06	94-231-10	11-173-06
	2088-534-244	94-236-14	94-238-03	94-232-06		11-173-06
Standard Blaster (24 vdc)	2088-574-344	94-236-14	94-238-03	94-232-06	94-231-10	11-187-06
	2088-574-244	94-236-14	94-238-03	94-232-06		11-187-16
Pro Blaster	2088-534-944	94-236-14	94-238-03	94-232-06	94-231-10	84-008-31
	2088-534-844	94-236-14	94-236-10	94-232-06		84-008-31
Pro Baitmaster	2088-414-734	94-236-14	94-238-03	94-232-06	94-231-10	84-008-01
	2088-414-634	94-236-14	94-238-03	94-232-06		84-008-01
Pro Baitmaster (24 vdc)	2088-574-734	94-236-14	94-238-03	94-232-06	94-231-10	84-008-11
	2088-574-634	94-236-14	94-238-03	94-232-06		84-008-11

**8000 SERIES**

- 1. Replacement Head  
94-380-33
- 3. Drive Assembly  
94-385-25
- 4. Diaphragm  
94-395-06
- 5. Valve Assembly  
94-390-06
- 6. Check Valve  
94-374-16
- 7. Switch  
94-375-13
- 8. Motor  
Call for Assistance
- 9. Upper Housing  
94-378-00

