


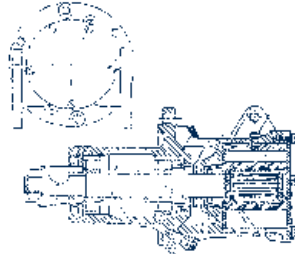
JABSCO
311 / 320 / 330 / 333



8950-0001

CAT # 5L6042

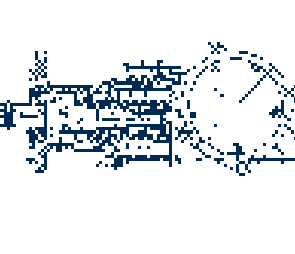
JABSCO
D326 / D337 / D17000



3900-0001

CAT # 3H3512

JABSCO
D333C / D334



14300 / 14440 / 17520

CAT # 7L4197 (14300)
CAT # 8L3887 / 8F3887 (14440)
CAT # 5R106 (14440)
CAT # 7C9656 / 7C9657 (17520)
CAT # 7C9658 / 7C9659 (17520)

CATERPILLAR



Impeller & Cams

Part #	Description	Qty.
17935-0001	Impeller	1
816-0000	Gasket	1
834-0001	Cam	1
2574-0000	Wearplate	1
3181-0000	Slinger	1
6408-0000	Mech. Seal	1
12062-0000	Cover	1
91005-0040	Cam Screw	1
91095-0060	Cover Bolt	5
92000-0120	O-Ring	1
92600-0040	Ball Bearing	1

Part #	Description	Qty.
17935-0001	Impeller	1
816-0000	Gasket	1
6408-0000	Mechanical seal	1
7257-0000	Cam & wearplate	1
2574-0000	Wearplate only	1
12062-0000	End cover	1
91005-0040	Cover screw	5
3181-0000	Slinger	1
92600-0200	Ball bearing	2
18725-0000	Snap ring	1
92000-0120	Shaft o-ring	1

Part #	Description	Qty.
17935-0001	Impeller	1
816-0000	Gasket	1
834-0001	Cam	1
2574-0000	Wearplate	1
12062-0000	Cover	1
6408-0000	Mech. Seal	1
91005-0040	Cam Screw	1
91095-0060	Cover Bolt	5
91095-0280	Hsg Bolt	4
91601-0130	Hsg Washer	4
18752-0000	Ball Bearings	2
92701-0180	Bearing Seal	1

Impeller Cross-Reference

CAT Part #	Depco Part #
1095324	SH 18000K
1095327	SH 18000K
1230492	SH 18000K
1L4774	JA 17935-0001
1W5664	SH 17000K
1W9046	JA 17935-0001
3N1888	JA 17370-0001
3N4859	JA 17370-0001
3N4860	JA 17374-1000
3N5895	JA 17018-0001
3N8459	JA 17370-0001
4L8470	JA 17936-0001
5L6042	JA 17935-0001
5N9360	JA 17935-0001
7E0321	SH 17000K
Impeller Puller	page 141

JOHNSON
D 7/12



10-35091-2

BMW

JOHNSON
D 150/190 / D 530TA/636TA



10-24127-1

BMW

JOHNSON
B 130



10-24119-2

BMW / Mercedes

JOHNSON
Vetus M3.10



10-35240-1

Vetus den Ouden

Part #	Description	Qty.
808B	Impeller	1
05-29-139	Lip seal	2
01-43240	Gasket	1
01-43239	End cover	1
05-04-163	Cover screw	4
01-45087	Wearplate	1
01-42400	Wearplate pin	1
05-08-503	Ball bearing	2
05-34-131	Snap ring	1
01-42910	Full cam	1
05-04-114	Full cam screw	1
01-42415	1/2 cam	1
05-04-553	1/2 cam screw	1
05-01-120	Screw washer	1
01-45193	Shaft	1
05-03-504	Drive pin	1

Part #	Description	Qty.
1028B	Impeller	1
05-28-105	Lip Seal	2
01-45181	Seal spacer	1
01-42445	Gasket	1
01-42441	End cover	1
05-04-174	Cover screw	6
01-42679	Cam	1
05-04-107	Cam screw	1
05-06-501	Slinger o-ring	1
05-08-128	Ball bearing	2
01-45248	Shaft	1

Part #	Description	Qty.
1027B	Impeller	1
05-29-105	Lip seal	1
01-45186	Seal spacer	1
01-42401	Gasket	1
01-42398	End cover	1
05-04-163	Cover screw	6
01-42397	Cam	1
05-04-117	Cam screw	1
01-42399	Wearplate	1
01-42400	Wearplate pin	1
05-06-500	Slinger o-ring	1
05-08-123	Ball bearing	2
01-45024	Bearing guide	1
01-45187	Shaft	1
01-45030	Coupling	1

Part #	Description	Qty.
810B	Impeller	1
01-45284	gasket	1
01-45282	End Cover	1
05-04-642	Cover screw	6
01-42389	Cam	1
05-04-114	Cam screw	1
05-04-124	Screw	1
05-29-139	Lip seal	2
01-45955	Seal spacer	1
05-08-130	Ball bearing	2
05-08-508	Ball bearing	1
05-34-131	Snap ring	1
05-01-120	Washer	1
01-45569	Shaft	1
01-43238	Mounting clip	2