

MAN ENGINE & HARNISCHFEGER PUMPS



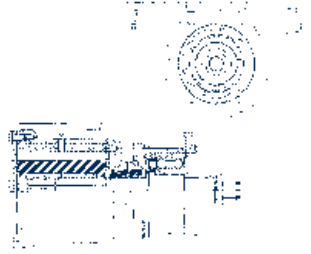
JOHNSON
D2842LE / LYE / LZE / ME



10-13165

MAN # 51.06500-7035

JOHNSON
D2542 / D2840 / D2842 / D2848



10-24239

MAN # 50.06500.7011

JOHNSON
D2866LE / 401 / 402



10-13142-02

MAN # 51.06500-7023

JOHNSON
D2542 / D2840 / D2842 / D2848



10-13064-2

MAN # 50.36500-7012

Part #	Description	Qty.
820B	Impeller	1
09-20-539	Mech. seal	1
05-34-508	Seal snap ring	1
05-06-503	Cover o-ring	1
01-35773-2	End cover	1
05-04-178	Cover screw	5
01-35744	Cam	1
05-040-515	Cam screw	2
01-42423	Wearplate	1
01-42426	Wearplate pin	1
05-09-502	Roller bearing	2
05-29-529	Bearing seal	1
05-04-595	Body bolt	4
01-46524	Slinger	1
01-35743	Shaft	1
01-46352	Drive key	1
01-46615	Shaft washer	1
05-04-646	Shaft bolt	1
05-05-525	Lock nut	1

Part #	Description	Qty.
802B	Impeller	1
09-20-118	Mech. seal	1
05-34-108	Seal snap ring	1
01-42424	Gasket	1
01-42422-1	End cover	1
05-04-148	Cover screw	5
01-43137	Cam	1
05-04-108	Cam screw	2
01-42423	Wearplate	1
01-42426	Wearplate pin	1
05-08-509	Ball bearing	2
05-29-517	Bearing seal	1
05-34-502	Brg snap ring	1
05-04-128	Body bolt	4
01-42427-15	Slinger	1
01-35212	Shaft	1
01-46352	Drive key	1
05-01-521	Shaft washer	1
05-05-513	Shaft nut	1

Part #	Description	Qty.
1028B	Impeller	1
01-42443	Wearplate	2
01-42400	Wearplate pin	1
01-46362	Gasket (port)	1
01-46291	Gasket (port)	1
01-46286	Gasket (port)	1
01-42679	Cam	1
05-04-107	Cam screw	1
821B	Impeller	1
01-46146	Cam	1
05-04-638	Cam screw	1
09-20-505	Mech. seal	1
05-34-108	Seal snap ring	2
01-35702	Shaft	1
01-42427-15	Slinger	1
05-08-513	Lg. ball bearing	1
05-08-26	Sm. ball bearing	1
05-34-118	Bearing snap ring	1
01-46284-2	Bearing spacer	1
05-29-526	Bearing seal	1
01-46361	Washer	1
05-04-640	Cover screw	5
05-04-150	Body bolt	4

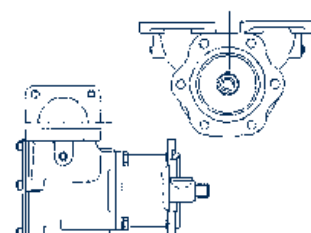
Part #	Description	Qty.
1028B	Impeller	1
01-42443	Wearplate	1
01-42400	Wearplate pin	1
01-45758	Gasket	1
01-42679	Cam	1
05-04-107	Cam screw	1
802B	Impeller	1
01-42423	Wear plate	1
01-42426	Wear plate pin	1
01-42424	Gasket	1
01-43137	Cam	1
05-04-108	Cam screw	1
09-20-118	Mech. seal	1
05-34-108	Seal snap ring	1
01-35214	Shaft	1
01-42427-15	Slinger	1
05-08-509	Ball bearing	1
05-29-517	Bearing seal	1
05-34-502	Bearing snap ring	1
01-45755	Washer	1
01-46352	Drive key	1
05-04-581	Cover screw	5
05-04-128	Body bolt	4
05-01-521	Shaft washer	1
05-05-513	Shaft nut	1

JABSCO
D0826 GLE40 / ML



29600-1201

JABSCO
D2540L / ML / MT



22040

MAN



Impellers

JABSCO
V-463



5330-9001
HARNISCHFEGER

Part #	Description	Qty.
17937-0001	Impeller	1
890-0000	Gasket	1
SP6080-0469	Water seal	1
934-0000	Cam	1
91003-0110	Cover screw	6
SP2700-1027	Oil seal	1
92600-0500	Bearing	2
29608-0000	Shaft	1
4156-0000	Wearplate	1
11831-0000	Cover	1

Part #	Description	Qty.
17936-0001	Impeller	1
6408-0000	Mechanical seal	1
816-0000	Gasket	1
12062-0000	End cover	1
91005-0040	Cover screw	5
6988-0000	Cam	1
91005-0040	Cam screw	1
2574-0000	Wearplate	1
3181-0000	Slinger	1
817-0000	Bearing seal	1
DD 519BRG	Ball Bearing	1
18718-0000	Snap ring	1
21239-0010	Shaft	1

Man Impeller Cross-Reference

MAN Part #	Depco Part #
50.06506-0073	JA 17936-0001
50.06506-0089	JS 814B
50.06506-0091	JS 1028B
51.06506-0103	JS 821B
51.06506-0106	JS 820B

Impeller Pullerpage 141

Part #	Description	Qty.
920-0001	Impeller	1
91003-0010	Screw (End Cover)	6
11831-0000	End Cover	1
3101-0000	Gasket	1
7867-0000	Cam, 2/3 (5330-9001)	1
17612-0001	Cam, Full (5330-9101)	1
91003-0010	Screw (Cam) (5330-9001)	1
91004-0090	Screw (Cam) (5330-9101)	1
7868-0000	Wearplate	1
96080-0080	Seal Assembly (Complete)	1
12005-0000	Seal Spacer	1
5337-0000	Shaft	1
913-0000	Bearing, Seal (Inner)	1
92600-0060	Ball Bearing	1
18713-0000	Ret. Ring (Brg. to Shaft)	1
18724-0000	Ret. Ring (Brg. to Hsg.)	1
914-0000	Bearing Seal (Outer)	1
9215-0000	Key (Pump Drive)	1