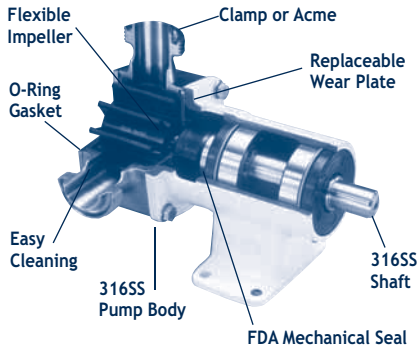


3A AND FDA COMPLIANT FLEXIBLE IMPELLER

- CONTENTS
- INDEX
- NEXT
- BACK
- HOME

THE JABSCO FIP



UP TO 185 GPM, 60 PSI, SELF-PRIMING, GENTLE SOLIDS HANDLING

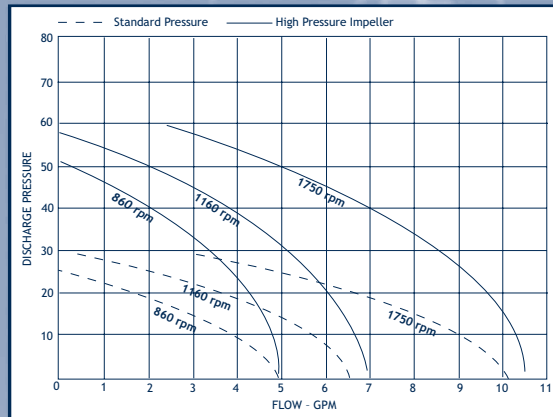
FIP pumps are used throughout the food, dairy, beverage and pharmaceutical industries. Inexpensive to buy and operate, their gentle pumping action effectively handles thin, viscous, shear sensitive and particle-laden fluids.

S.S.U	(Max. RPM)	S.S.U.	(Max. RPM)	S.S.U.	(Max. RPM)	S.S.U	(Max.RPM)
50	1750	700	1680	4,000	1400	15,000*	787
100	1750	800	1645	5,000	1312	20,000*	700
200	1750	900	1610	6,000	1225	30,000*	612
300	1750	1,000	1574	7,000	1138	40,000*	525
400	1750	1,500	1540	8,000	1050	50,000*	437
500	1750	2,000	1505	9,000	962	75,000*	298
600	1710	3,000	1450	10,000	875	100,000*	175

10 GPM 30550 SERIES



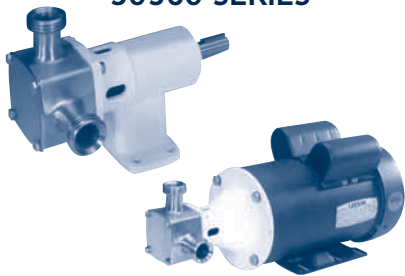
1" Sanitary Clamp or Acme Thread



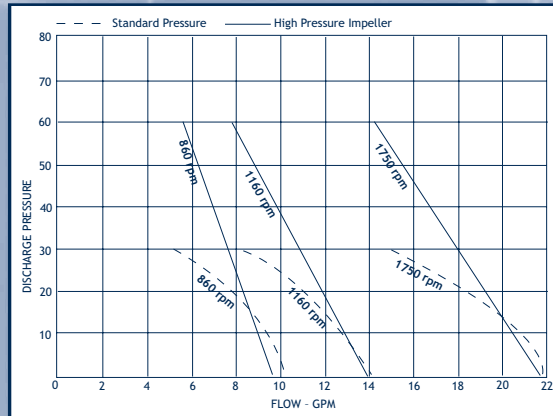
UP TO 10 GPM, 60 PSI

- Temperatures to 185° F
- Construction: polished sanitary 316SS housing with FDA compliant elastomers
- Mounting Options: AC and DC voltages, TEFC, washdown, explosion proof, gear reduction, variable speed drive and other custom configurations

20 GPM 30560 SERIES



1" Sanitary Clamp or Acme Thread



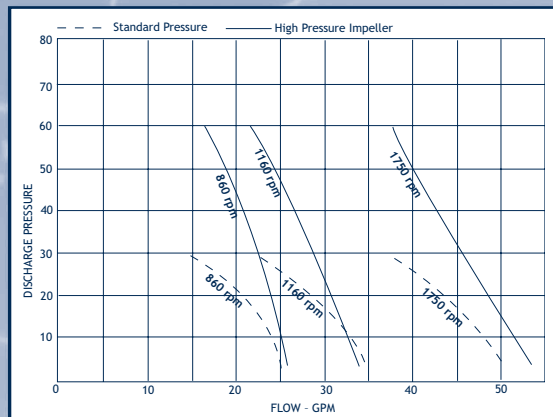
UP TO 20 GPM, 60 PSI

- Temperatures to 185° F
- Construction: polished sanitary 316SS housing with FDA compliant elastomers
- Mounting Options: AC and DC voltages, TEFC, washdown, explosion proof, gear reduction, variable speed drive and other custom configurations

50 GPM 30570 SERIES



1.5" Sanitary Clamp or Acme Thread



UP TO 50 GPM, 60 PSI

- Temperatures to 185° F
- Construction: polished sanitary 316SS housing with FDA compliant elastomers
- Mounting Options: AC and DC voltages, TEFC, washdown, explosion proof, gear reduction, variable speed drive and other custom configurations

NOTE: Curves show approximate head and flow for new pumps with neoprene impeller pumping water. Other impeller compounds may reduce performance.