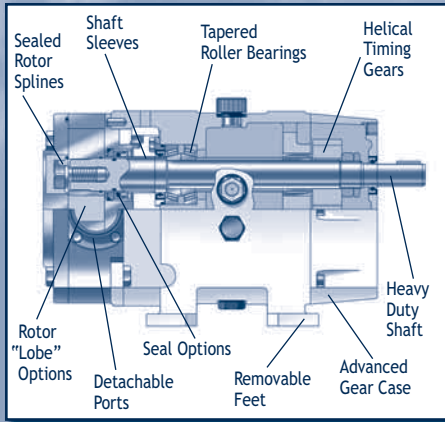


# "24 SERIES" 3A AND FDA COMPLIANT LOBE PUMPS



## TRADITIONAL HEAVY-DUTY TRI AND BI-LOBE DESIGN

The modular design of this pump series uses "bolt on" features which allow quick and easy interchange of parts to enable the exact customization you require... and they are often available immediately from stock! This series will handle applications from one to one million CP viscosity, 477 gpm and up to 215 psi.

**Connections:** Bolt on ports allow all US and European standards including DIN, SMS, RJT, IDF, Tri-Clamp, NPT and BSP.

**Seal Options:** O-ring seals, gland packing, flushed seals and single or double mechanical seals in carbon, stainless steel, tungsten carbide and silicon carbide.

**Elastomers:** Nitrile, Viton®, EPDM and PTFE.

**Mounts and Drives:** All models are available as the pump only or complete with drive on a base or cart to meet your voltage, speed, enclosure and dimensional requirements. Pneumatic, hydraulic and variable speed electric drives are also available.

**Other Options:** Temperature control jackets, integral relief valve, electro-polishing, hopper feed and enlarged ports.

CONTENTS

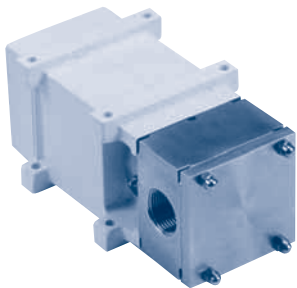
INDEX

NEXT

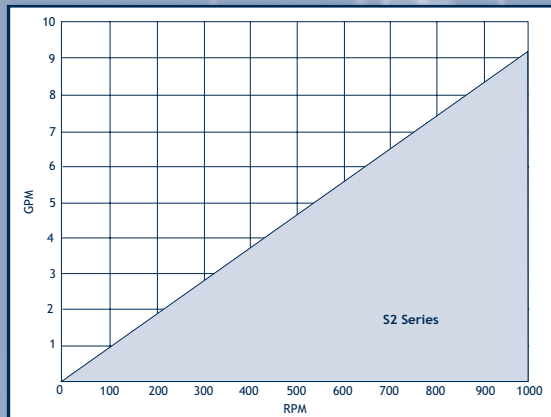
BACK

HOME

### JABSCO



S2 Series



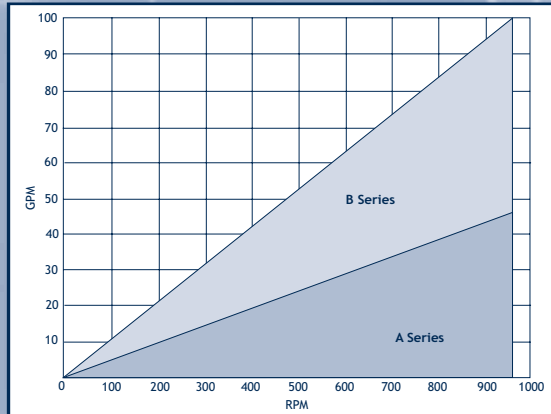
### UP TO 9.2 GPM, 101 PSI

- Port Size: 1"
- Flow (per 100 revolutions): .92 gallons
- Max rpm: 1000
- Temperature: -22° to 302° F
- Compact Size: 10.25" x 5.75" x 4.25"

### JABSCO



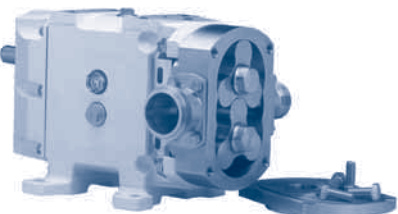
A and B Series



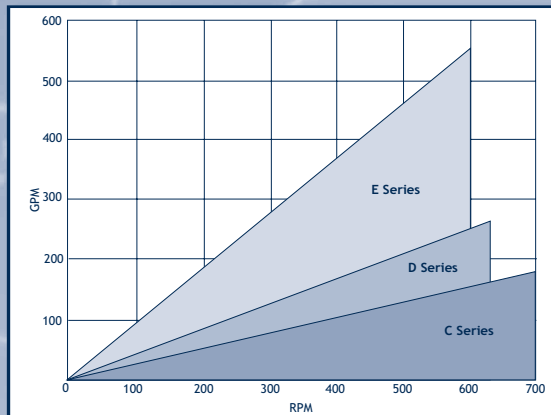
### UP TO 99.6 GPM, 217 PSI

- Port Size: A Series - 1" or 1 1/2", B Series - 1 1/2" or 2"
- Flow (per 100 revolutions):  
A1 – 2.75 gallons  
A2 – 4.91 gallons  
B1 – 6.47 gallons  
B2 – 9.96 gallons
- Max rpm: 960
- Temperature: -40° to 392° F

### JABSCO



C, D and E Series



### UP TO 554.8 GPM, 203 PSI

- Port Size: C Series - 2" or 3", D Series - 3" or 4", E Series - 6"
- Flow (per 100 revolutions):  
C1 – 16.47 gallons, max 720 rpm  
C2 – 24.72 gallons, max 700 rpm  
D1 – 32.23 gallons, max 650 rpm  
D2 – 42.53 gallons, max 620 rpm  
E2 – 92.46 gallons, max 600 rpm
- Temperature: -40° to 392° F