

"ULTIMA" ULTRA-HYGIENIC LOBE PUMPS

CONTENTS

ULTIMATE "SUPER-CLEAN" HYGIENIC LOBE PUMP

These pumps set the standard in the pharmaceutical and bio-process markets. They are tested and approved to the EHEDG (European Hygienic Equipment Group), CIP, SIP and bacterial tightness protocols. They meet full conformance to 3A sanitary standards 18-03 and 03-09, and utilize materials which meet the requirements of the FDA Title 21, Section 177.2600. This series will handle applications from one to one million CP viscosity, 180 gpm and up to 300 psi.

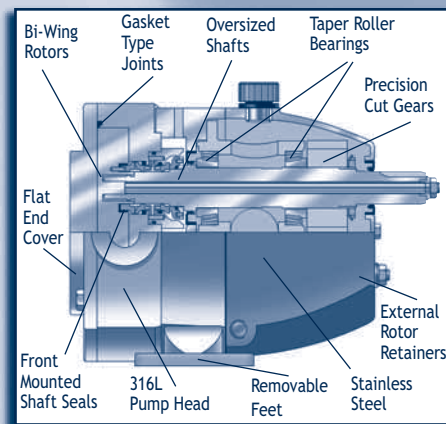
Connections: US and European standards including Tri-Clamp. All pumps are available with standard and oversized ports.

Seal Options: Front loaded single mechanical in carbon and silicon carbide, low pressure flushed seals and double mechanical seals.

Elastomers: EPDM, Viton® and PTFE products that conform to the FDA CFR Title 21 Section 177.2600.

Mounts and Drives: All models are available as the pump only or complete with drive on a base or cart to meet your voltage, speed, enclosure and dimensional requirements. Pneumatic, hydraulic and variable speed electric drives are also available.

Other Options: Aseptic barrier end cover joints and electropolishing of internal surfaces to .5um RA (240grit) for minimized cell damage and maximized cleanability.



INDEX

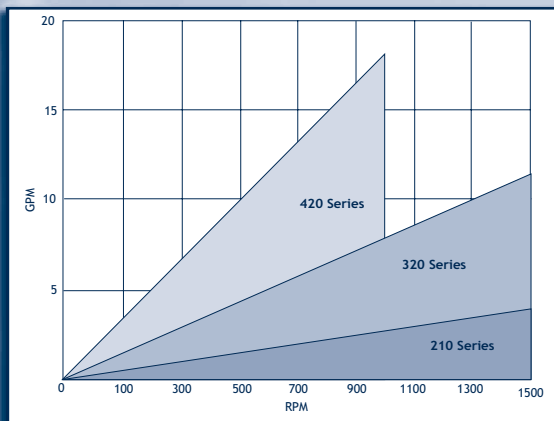
NEXT

BACK

HOME

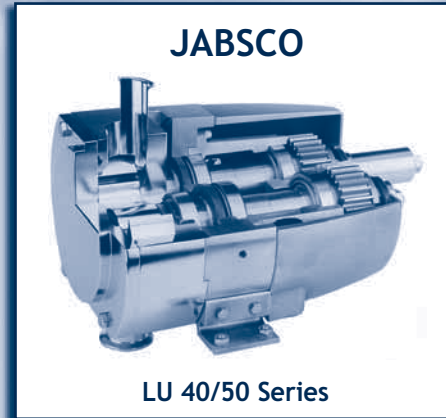
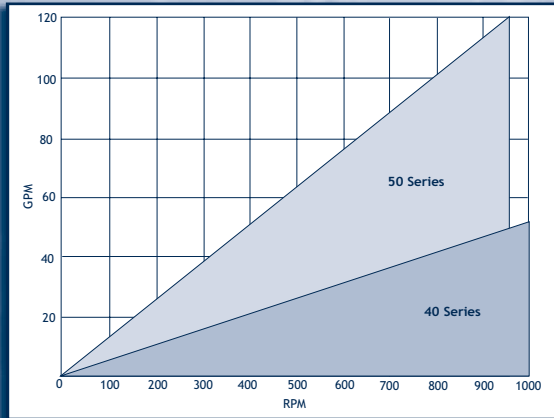
UP TO 17.7 GPM, 290 PSI

- Port Size: 55210 Series 1/2", 55320 Series 3/4", 55420 Series 1"
- Flow (per 100 revolutions):
210 – 4.2 gallons, max 1500 rpm
320 – 11.6 gallons, max 1500 rpm
420 – 17.7 gallons, max 1000 rpm
- Temperature: -22° to 284° F



UP TO 120.2 GPM, 217 PSI

- Port Size: LU42 Series - 1" or 1 1/2", LU44 Series - 1 1/2" or 2", LU52 Series 1 1/2" or 2", LU54 Series - 2" or 3"
- Flow (per 100 revolutions):
LU42 – 3.25 gallons
LU44 – 5.39 gallons
LU52 – 7.00 gallons
LU54 – 12.02 gallons
- Max rpm: 1000
- Temperature: -22° to 284° F



UP TO 180.7 GPM, 217 PSI

- Port Size: LU62 Series - 2", 2 1/2" or 3", LU 64 Series - 3" or 4"
- Flow (per 100 revolutions):
LU62 – 16.90 gallons
LU64 – 25.10 gallons
- Max rpm: 720
- Temperature: -22° to 284° F

