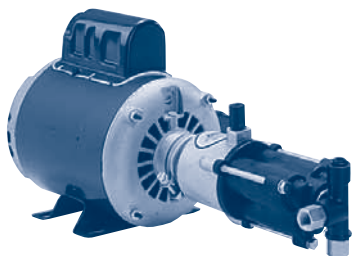


PISTON AND PLUNGER

CAT



Axial Plunger Pump

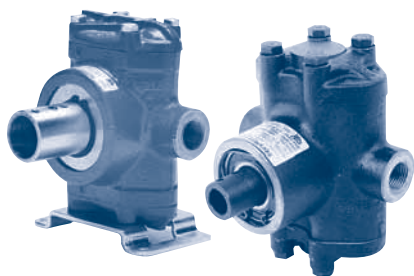
1 - 1.25 GPM, 500 PSI, COMPACT PLASTIC PLUNGER

This axial plunger pump mechanically actuates its three plungers delivering smooth flow and quiet operation. Cat has incorporated special hi-pressure and low-pressure seals that offer exceptional life while keeping its amp draw low and size relatively small, making it compatible with many portable applications.

Model	Max PSI	HP	AMPS	RPM	Dimensions (L x W x H)
1LX100 Series	500	1/3	3	1725	15.36" x 7.63" x 7.81"
1LX125 Series	500	1/2	5	1725	16.92" x 7.63" x 7.81"

- CONTENTS
- INDEX
- NEXT
- BACK
- HOME

HYPRO



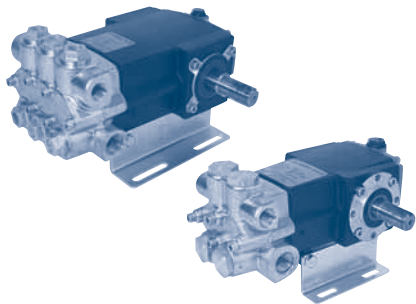
5200 and 5300 Piston Pumps

1.5 - 10 GPM, 1000 PSI, PISTON/PLUNGER

These Hypro pumps have been successfully used for decades in a variety of high pressure applications. Constructed of durable cast iron they are available with a solid shaft for coupling/pulley drive or a hollow shaft for PTO (5200 series - 1 3/8" diameter) or motor (5300 series - 5/8" diameter) drive. Cups are available in Buna, leather, fabric, Viton® and Teflon® materials. Maximum temperature is 140°F.

Model Number	Max PSI	Max RPM	Gallons Per Minute at PSI				
			100	200	400	500	1000
5320	500	1725	2.26	2.25	2.21	2.20	-
5330	500	1750	3.22	3.22	3.12	3.10	-
5321	1000	1750	2.23	2.22	2.22	2.22	2.15
5206	400	600	5.84	5.83	5.80	-	-
5210	400	600	10.55	10.41	10.18	-	-

HYPRO



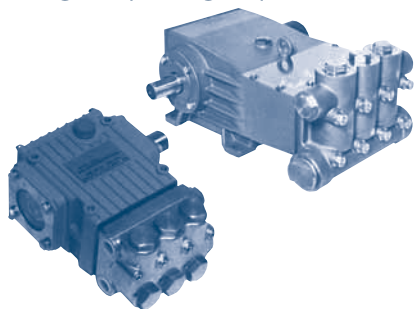
Powerline Plunger Series

2.1 - 8 GPM, 3600 PSI, POWERLINE PLUNGERS

Hypro's Powerline series is designed for pumping water, soap and other non-flammable liquids compatible with pump component materials. The maximum liquid temperatures are 180°F for the 2200 and 2300 models and 160°F for the 2350, 2400 and 2430 models. Mounting options include engine, electric and pedestal mounting for pulley drive.

Pump Series	Max PSI	Max RPM	Flow Range in GPM
2200	1500	1750 to 3450	2.1 to 3.0
2300-2350	2000	1750 to 3450	3.1 to 5.0
2400-2430	3600	800 to 1725	4.3 to 8.0

GIANT / GENERAL



Triplex Plunger Series

.5 - 112 GPM, 21,750 PSI, TRIPLEX PLUNGERS

High pressure, high temperature, and high flow pumps are available in brass, nickel aluminum bronze, 316 stainless steel and duplex (ASTM A890) construction. Mounting options include engine, electric and pedestal mounting for pulley drive.

Brand	Pump Series	Max PSI	Max RPM	Flow Range in GPM
Giant	P200-P400	4000	1450 to 3450	.5 to 15.5
Giant	P46-P59	6500	1420 to 1725	1.4 to 8.9
Giant	LP Series	15000	885 to 1270	3.0 to 40.0
Giant	GP Series	10000	700 to 1000	9.0 to 66.0
General	Industrial	21,750	700 to 1800	2.1 to 112.0
General	Car Wash	3,600	950 to 1750	2.6 to 21.0
General	Pressure Wash	5,800	650 to 3400	1.75 to 14.0