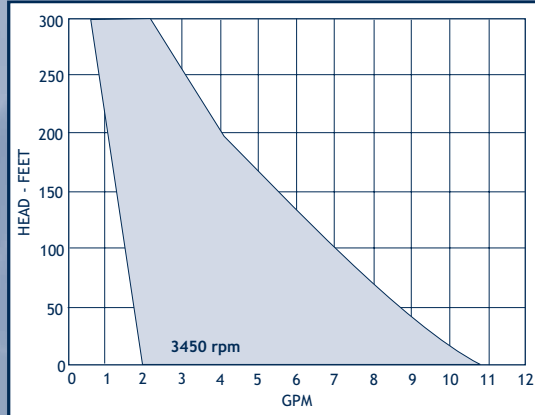


TURBINE PUMPS

MTH



T31 Series



UP TO 10 GPM, 300' TDH

- All bronze or all 316SS construction
- Self-centering turbine impeller design; no impeller adjustment necessary
- Low NPSH requirements – will handle adverse suction conditions without cavitation
- Handles up to 20% air or gas/liquid mixture

CONTENTS

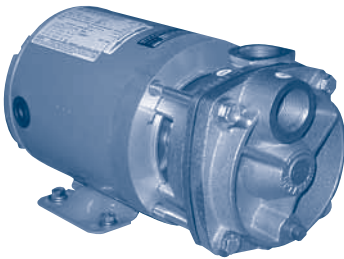
INDEX

NEXT

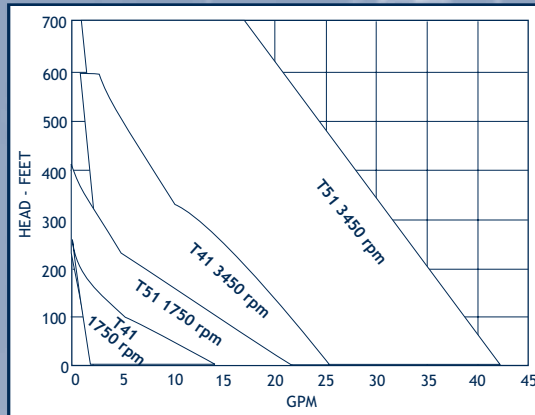
BACK

HOME

MTH



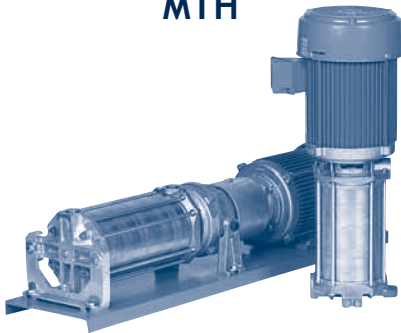
T41 and T51 Series



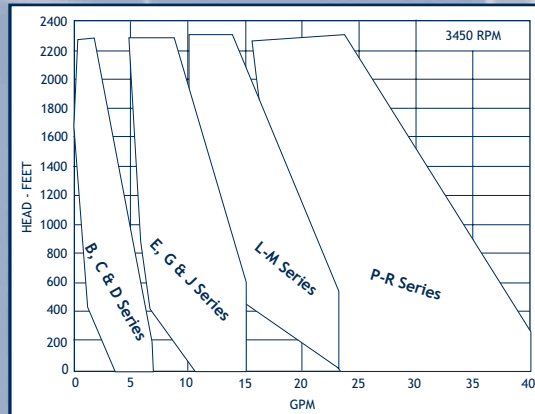
UP TO 40 GPM, 700' TDH

- All iron, bronze fitted, all bronze, and all 316SS construction options
- Self-centering turbine impeller design; no impeller adjustment necessary
- Low NPSH requirements – will handle adverse suction conditions without cavitation
- Handles up to 20% air or gas/liquid mixture

MTH



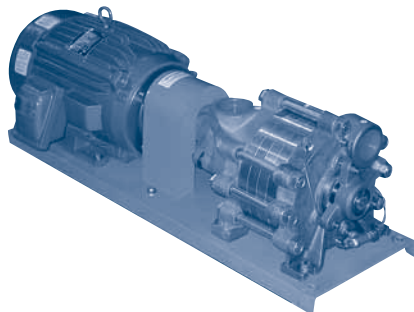
M50 and L50 Series



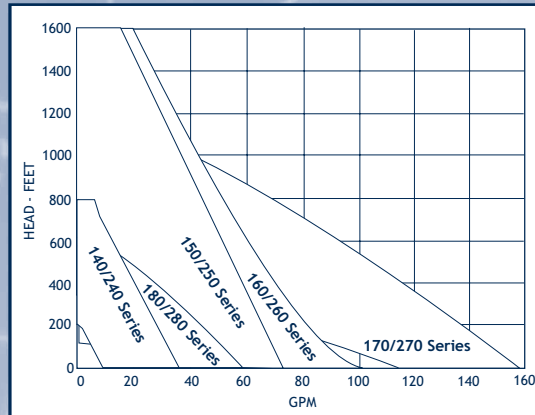
UP TO 38 GPM, 2300' TDH

- CI/BF, all bronze, all iron or all 316 stainless steel
- Low NPSH inducer option
- Vertical or horizontal configurations
- Several elastomer choices
- Handles up to 20% vapor
- Temperatures to 250° F
- Many size offerings allowing pinpoint selections

MTH



Multi-Stage Turbines



UP TO 150 GPM, 1600' TDH

- CI/BF, all bronze, all iron or all 316 stainless steel
- Low NPSH inducer option
- Vertical or horizontal configurations
- Several elastomer choices
- Handles up to 20% vapor
- Temperatures to 250° F
- Many size offerings allowing pinpoint selections