

# 316SS AND EPOXY FLEXIBLE IMPELLER

CONTENTS

## UP TO 20 GPM, 60 PSI

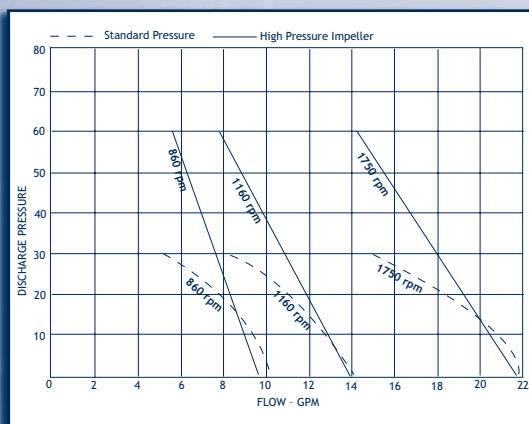
- Temperatures to 185° F
- Construction: 316SS
- Elastomer Options: Carbon/Ceramic or Tungston/Ceramic mechanical seal with Nitrile or Viton® rubber
- Impeller Options: Neoprene, Nitrile, Viton® and EPDM
- Mounting Options: AC and DC voltages, TEFC, washdown, explosion proof, gear reduction, variable speed drive and other custom configurations

INDEX

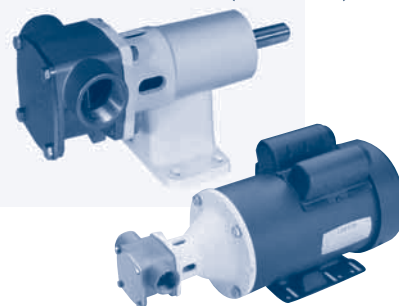
NEXT

BACK

HOME



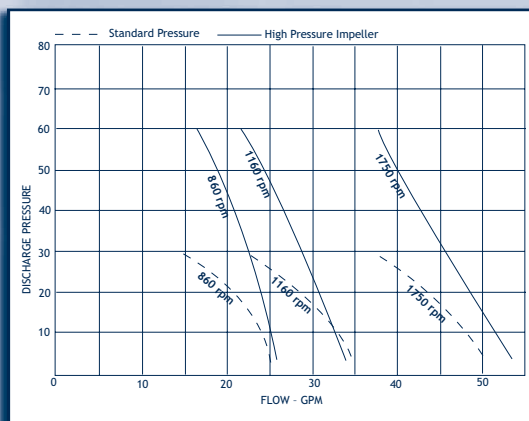
## JABSCO (316SS)



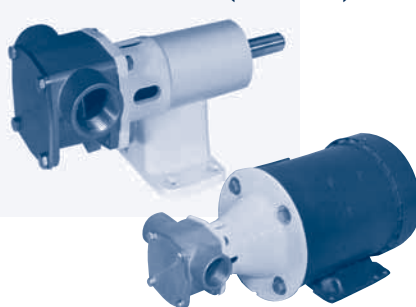
30520 Series (1")

## UP TO 50 GPM, 60 PSI

- Temperatures to 185° F
- Construction: 316SS
- Elastomer Options: Carbon/Ceramic or Tungston/Ceramic mechanical seal with Nitrile or Viton® rubber
- Impeller Options: Neoprene, Nitrile, Viton® and EPDM
- Mounting Options: AC and DC voltages, TEFC, washdown, explosion proof, gear reduction, variable speed drive and other custom configurations



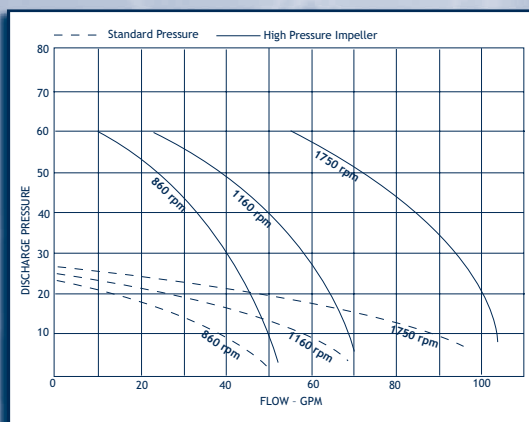
## JABSCO (316SS)



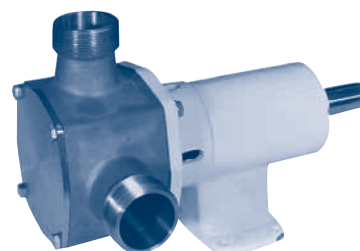
30530 Series (1 1/2")

## UP TO 100 GPM, 60 PSI

- Temperatures to 185° F
- Construction: 316SS
- Elastomer Options: Carbon/Ceramic or Tungston/Ceramic mechanical seal with Nitrile or Viton® rubber
- Impeller Options: Neoprene, Nitrile, Viton® and EPDM
- Mounting Options: AC and DC voltages, TEFC, washdown, explosion proof, gear reduction, variable speed drive and other custom configurations



## JABSCO (316SS)

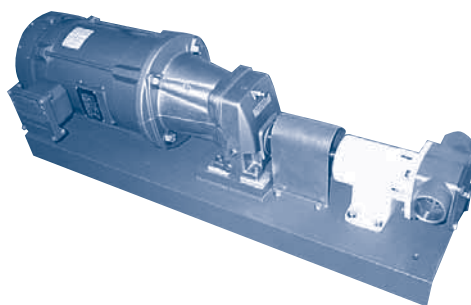


30540 Series (2")

## CUSTOM CONFIGURATIONS

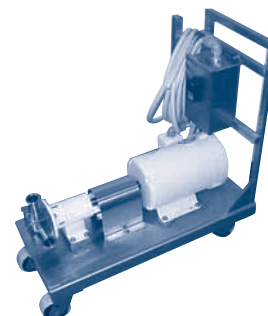
- Cart, base and close-coupled
- Electric, pneumatic and hydraulic drive
- AC and DC voltages
- Open, TEFC and explosion proof drive
- Variable speed drives
- Gear reduction
- Channel steel, steel, stainless steel and aluminum base and cart materials

## JABSCO



Pedestal Mounting

## JABSCO



Cart Mounting