

OIL CHANGE & DIESEL TRANSFER VANE

REVERSIBLE OIL CHANGE, DIESEL TRANSFER PUMPS

These Jabsco pumps utilize the proven vane pump design, which is ideally suited for oil and diesel transfer. Each pump comes equipped with a three-way reversible switch that allows the removal of the old oil and the filling of the new. Each pump has 1/2" FPT internal ports with 1" external hose barbs and includes 2 adapters for 3/4" garden hose. The service kit includes the vanes, rotor, o-ring, and seal and can be ordered under the number JA 90200-0000. **Not for pumping gasoline!**

Model Number	Volts D.C.	Max GPM	Amp Draw	Dimensions (H x W x L)
JA 45710-1000	12	5	8	3 3/8" x 4 3/4" x 8 5/8"

OIL CHANGE / DIESEL TRANSFER PUMPS

These Jabsco pumps are ideal for oil change or diesel transfer where a reversing switch is not required. Each pump has 1/2" FPT internal ports with 1" external hose barbs and includes 2 adapters for 3/4" garden hose. The service kit includes the vanes, rotor, o-ring, and seal and can be ordered under the number JA 90200-0000. **Not for pumping gasoline!**

Model Number	Volts D.C.	Max GPM	Amp Draw	Dimensions (H x W x L)
JA 45710-0000	12	5.5	8	3 3/8" x 4 3/4" x 7 1/8"
JA 45710-0010	24	5.5	5	3 3/8" x 4 3/4" x 7 1/8"

115 VAC DIESEL TRANSFER PUMP

The Jabsco 115 vac 45740-0000 pump will empty a 55 gallon drum of diesel in 7 minutes! It comes with a 6-foot power cord and has 1/2" FPT internal ports with 1" external hose barbs. The pump also includes 2 adapters for 3/4" garden hose. The service kit includes the vanes, rotor, o-ring, and seal and can be ordered under the number JA 90200-0000. **Not for pumping gasoline!**

Model Number	Volts D.C.	Max GPM	Amp Draw	Dimensions (H x W x L)
JA 45740-0000	115	8.5	3	5 3/4" x 4 5/8" x 9 1/2"

HIGH VOLUME D.C. DIESEL TRANSFER PUMPS

These Jabsco high volume pumps are available in 12 & 24 vdc and 9, 12, & 25 gallons per minute flows. The 50130 series has the added feature of an internal by-pass. This allows the fuel to be by-passed within the pump while the discharge line is restricted or shut-off during operation. This feature enables the user to start and stop the flow with a nozzle at the end of the hose, eliminating the need of controlling the flow with the power switch. **Not for pumping gasoline!**

Model Number	Volts D.C.	Max GPM	Amp Draw	Port Size	Dimensions (H x W x L)
JA 50130-1000	12	9	13	3/4" Barb	4" x 7" x 6 3/8"
JA 50130-1100	24	9	6	3/4" Barb	4" x 7" x 6 3/8"
JA 23540-1200	12	12	15	1" FPT	5 3/4" x 5" x 8 1/2"
JA 23540-1300	24	12	7	1" FPT	5 3/4" x 5" x 8 1/2"
JA 23550-1300	24	25	15	1-1/4" FPT	7 1/8" x 5 11/16" x 9 3/4"

JABSCO



Reversible

JABSCO



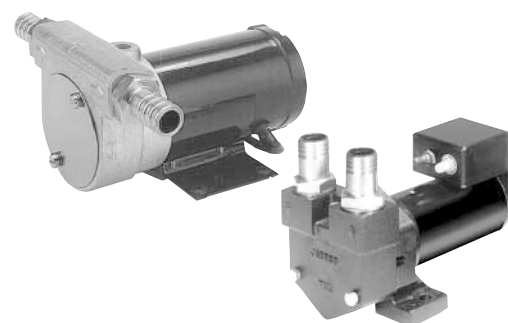
12 & 24 vdc

JABSCO



115 vac

JABSCO



High Volume 12 & 24 vdc