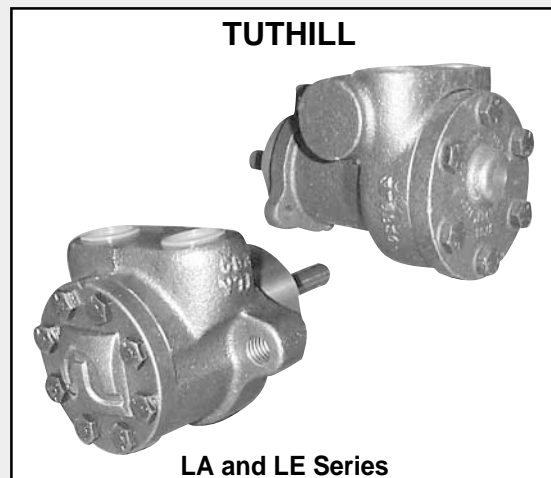


# CAST IRON GEAR

## UP TO 14 GPM, MECHANICAL SEAL, COMPACT OR C-FACE MOUNTING

Model Bi-Rotational Reversing	Nominal Cap. GPM		Port Size	Max. PSI	
	1200 RPM	1800 RPM			
30LA	—	.3	.5	3/8	300
00LA	—	.6	1.0	1.2	300
—	00RLA	.6	1.0	1.2	300
0LA	0RLA	1.2	1.8	1/2	300
1LA	—	2.1	3.2	1/2	300
—	1RLA	2.1	3.2	1/2	300
2LA	2RLA	4.1	6.2	1/2	300
30LE	—	.3	.5	3/8	300
00LE	00RLE	.6	1.0	1.2	300
0LE	0RLE	1.2	1.8	1/2	300
1LE	1RLE	2.1	3.2	1/2	300
2LE	2RLE	4.1	6.2	1/2	300
5LE	—	9.2	13.8	1	300

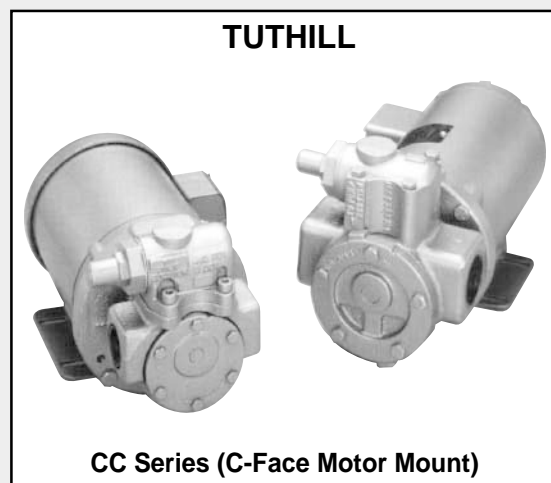
Mechanical seal options of Buna, EPR, Neoprene, or Viton, outboard bearing available, special pressures up to 500 PSI. Relief valve option on LE, and reversing available on most models.



## UP TO 30 GPM, 2500 SSU, 100 PSI, OPTIONAL RELIEF VALVE

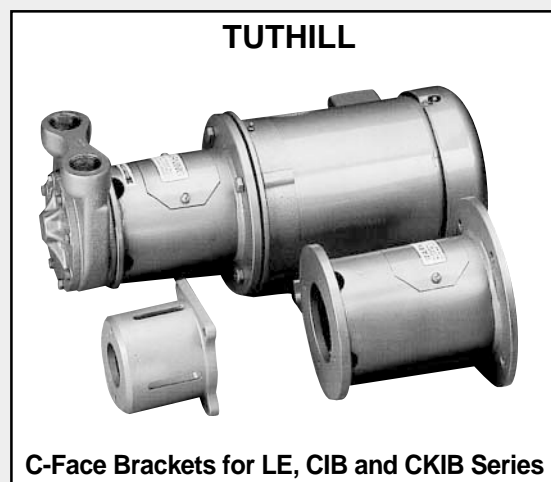
PUMP SERIES	PORT SIZE (IN)	Pump Delivery		MOTOR H.P.									Max. Temp. of		
		R.P.M.	USGPM (50 PSIG)	100 SSU			750 SSU			2500 SSU			BUNA	N	VITON
				50 PSI	75 PSI	100 PSI	50 PSI	75 PSI	100 PSI	50 PSI	75 PSI	100 PSI			
CC-009	1" NPT OR BSP	1200	6	0.50	0.75	1.0	0.75	1.0	1.0	1.0	1.0	1.5	225	350	
		1800	9	0.75	1.0	1.5	1.0	1.5	1.5	—	—	—			
CC-015	1-1/2" NPT OR BSP	1200	10	0.75	1.0	1.5	1.0	1.0	1.5	1.5	2.0	2.0	225	350	
		1800	15	1.0	1.5	2.0	1.5	1.5	2.0	<b>CALL</b>					
CC-030	1-1/2" NPT OR BSP	1200	20	1.0	1.5	2.0	1.5	2.0	<b>CALL</b>			225	350		
		1800	30	1.5	2.0	3.0	2.0	3.0	<b>CALL</b>						

These rotary gear pumps are well suited for oil transfer, recirculation and filtering applications and will close-couple to standard c-face motors.



## OPTIONAL C-FACE BRACKETS

Pump Model	Motor Frame Size	Register Diameter	Adapter Length	Adapter Only	Adapter Kit
All LE Models	56C	4 1/2	4 7/16	1LE51	1LE534
2C1B	143TC, 1456C	4 1/2	7 15/16	2C1B51-56	2C1B534-56
	182TC, 184TC	8 1/2	8 9/16	2C1B51-182	2C1B534-182
	56C	4 1/2	7 3/4	3C1B51-56	3C1B534-56
3C1B	143TC, 145TC	4 1/2	7 3/4	3C1B51-56	3C1B534-143
	182TC, 184TC	8 1/2	8 3/8	3C1B51-182	3C1B534-182
	213TC, 215TC	8 1/2	9 1/8	3C1B51-213	3C1B534-213
4C1B	182TC, 184TC	8 1/2	9 9/16	5C1B51-182	5C1B534-182
	213RCM, 215TC	8 1/2	10 5/16	5C1B51-213	5C1B534-213
	254TC, 256TC	8 1/2	11	5C1B51-254	5C1B534-254
5C1B	284TC, 286TC	10 1/2	11 3/4	5C1B1-284	5C1B534-284
	324TC, 326TC	12 1/2	12 1/2	5C1B51-324	5C1B534-324
6C1B	56C	4 1/2	7 13/16	2CK1B51-56	2CK1B534-56
	143TC, 145TC	4 1/2	7 13/16	2CK1B51-56	2CK1B534-143
	182TC, 184TC	8 1/2	8 7/16	2CK1B51-182	2CK1B534-182
3CK1B	56C	4 1/2	8 5/8	3CK1B51-56	3CK1B534-56
	143TC, 145TC	4 1/2	8 5/8	3CK1B51-56	3CK1B534-143
	182TC, 184TC	8 1/2	9 1/8	3CK1B51-182	3CK1B534-182
4CK1B	213TC, 215TC	8 1/2	10 1/4	3CK1B51-213	3CK1B534-213
	182TC, 184TC	8 1/2	10 5/16	5CK1B51-182	5CK1B534-182
	213TC, 215TC	8 1/2	11 1/16	5CK1B51-213	5CK1B534-213
5CK1B	254TC, 256TC	8 1/2	11 7/8	5CK1B51-254	5CK1B534-254
	284TC, 286TC	10 1/2	12 7/8	5CK1B51-284	5CK1B534-284
	324TC, 325TC	12 1/2	13 3/4	5CK1B51-324	5CK1B534-324



FOR ENGINEERING AND PUMP SELECTION ASSISTANCE CALL DEPCO AT 1-800-446-1656