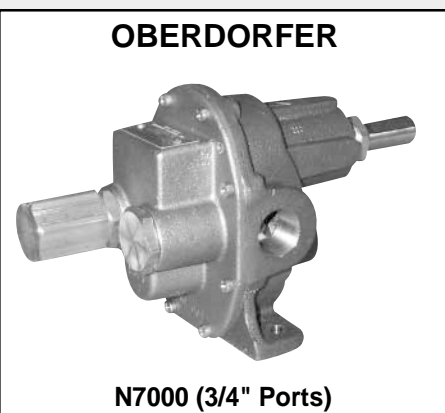


BRONZE PEDESTAL GEAR

UP TO 20 GPM, 100 PSI (150 PSI Intermittent)

- Temperatures to 400° F
- Bronze Housing
- Seal Options: standard or Teflon packing, Buna or Viton lip seal, Buna, Viton or Teflon mechanical seal
- Optional relief valve
- See Page 13, N970 series for Close-coupled version

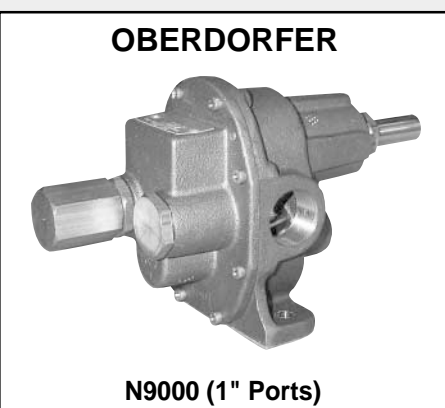
R.P.M.	FT. HD. P.S.I.	0	46	92	138	184	231	290	346
		0	20	40	60	80	100	125*	150*
400	GPM	4.00	3.45	2.90	2.35	1.50	1.30	1.20	1.00
	HP	0.20	0.23	0.30	0.39	0.55	0.65	0.70	0.90
600	GPM	6.30	5.78	5.26	4.74	4.22	3.95	3.50	3.10
	HP	0.25	0.30	0.40	0.65	0.75	0.95	1.15	1.40
800	GPM	8.58	8.18	7.78	7.38	6.98	6.57	6.40	6.20
	HP	0.30	0.40	0.58	0.85	0.93	1.15	1.40	1.70
1000	GPM	10.90	10.51	10.12	9.72	9.33	8.93	8.00	7.90
	HP	0.40	0.60	0.70	0.90	1.10	1.38	1.60	1.92
1200	GPM	13.33	12.94	12.55	12.16	11.76	11.37	11.20	11.10
	HP	0.50	0.70	0.85	1.06	1.35	1.65	1.90	2.20
1600	GPM	18.17	17.79	17.41	17.03	16.65	16.28	16.10	16.00
	HP	0.70	0.91	1.20	1.50	1.80	2.14	2.50	2.90
1725	GPM	19.85	19.48	19.11	18.74	18.37	18.00	17.70	17.40
	HP	0.80	1.10	1.42	1.85	2.18	2.65	3.00	3.60



UP TO 23 GPM, 100 PSI (150 PSI Intermittent)

- Temperatures to 400° F
- Bronze Housing
- Seal Options: standard or Teflon packing, Buna or Viton lip seal, Buna, Viton or Teflon mechanical seal
- Optional relief valve
- See Page 13, N990 series for Close-coupled version

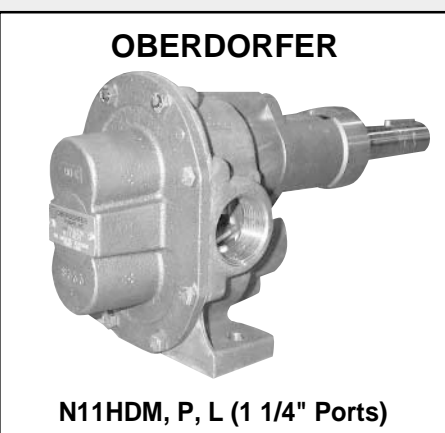
R.P.M.	FT. HD. P.S.I.	0	46	92	138	184	231	290	346
		0	20	40	60	80	100	125*	150*
400	GPM	5.00	4.49	3.99	3.48	2.98	2.48	2.05	1.60
	HP	0.25	0.33	0.40	0.50	0.65	0.75	1.00	1.25
600	GPM	7.50	7.08	6.65	6.23	5.80	5.38	4.90	4.05
	HP	0.35	0.40	0.55	0.75	0.90	1.10	1.32	1.60
800	GPM	10.17	9.82	9.47	9.12	8.77	8.41	7.80	7.30
	HP	0.40	0.60	0.70	1.00	1.15	1.40	1.75	2.05
1000	GPM	13.00	12.65	12.30	11.94	11.58	11.22	10.40	9.90
	HP	0.50	0.70	0.90	1.20	1.45	1.72	2.10	2.50
1200	GPM	16.00	15.67	15.34	15.00	14.67	14.33	13.60	13.00
	HP	0.60	0.80	1.14	1.45	1.85	2.20	2.70	3.20
1600	GPM	21.50	21.12	20.74	20.35	19.97	19.58	18.70	18.00
	HP	0.80	1.70	1.38	1.70	2.03	2.41	2.90	3.40
1725	GPM	23.33	22.93	22.52	22.11	21.71	21.30	20.50	20.10
	HP	0.90	1.19	1.53	1.92	2.25	2.70	3.15	3.70



UP TO 61 GPM, 100 PSI (150 PSI Intermittent)

- Up to 900 rpm cont. duty
- Up to 1800 rpm int. duty
- Bronze Housing
- Seal Options: standard or Teflon packing, Buna or Viton lip seal, Buna or Viton mechanical seal
- See Page 13, N1100 series for Close-coupled version

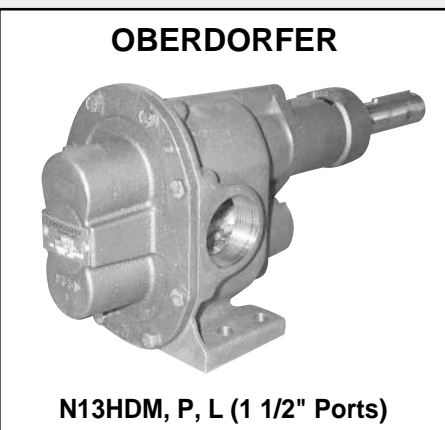
R.P.M.	FT. HD. P.S.I.	0	46	92	138	184	231	290	346
		0	20	40	60	80	100	120	140
400	GPM	10.00	8.8	7.60	5.50	4.90	2.80	1.54	-
	HP	0.25	0.28	0.35	0.69	0.93	1.00	1.34	-
600	GPM	17.50	16.00	14.90	13.10	12.00	10.00	8.90	7.70
	HP	0.30	0.42	0.61	0.92	1.10	1.50	1.90	2.10
900	GPM	27.70	26.00	25.00	23.20	22.00	20.60	18.70	17.80
	HP	0.44	0.80	1.10	1.50	2.00	2.40	3.00	3.40
1200	GPM	39.00	37.00	35.30	34.10	33.00	31.00	-	-
	HP	0.82	1.10	1.80	2.10	2.90	3.40	-	-
1725	GPM	60.40	58.10	56.40	54.80	52.40	50.50	-	-
	HP	2.0	2.80	3.40	4.20	5.00	6.00	-	-



UP TO 88 GPM, 100 PSI (150 PSI Intermittent)

- Up to 900 rpm cont. duty
- Up to 1800 rpm int. duty
- Bronze Housing
- Seal Options: standard or Teflon packing, Buna or Viton lip seal, Buna or Viton mechanical seal

R.P.M.	FT. HD. P.S.I.	0	46	92	138	184	231	290	346
		0	20	40	60	80	100	120	140
400	GPM	18.50	16.50	14.00	12.00	10.50	10.00	8.50	7.00
	HP	0.25	0.40	0.80	1.00	1.50	2.00	2.40	2.90
600	GPM	30.00	28.50	26.00	24.00	21.50	20.00	18.50	16.50
	HP	0.35	0.60	1.10	1.60	2.20	2.80	3.30	3.90
900	GPM	42.50	42.00	41.00	40.00	39.00	37.00	35.00	32.00
	HP	0.65	1.40	2.00	2.70	3.40	4.10	4.90	5.60
1200	GPM	60.00	59.50	58.00	57.00	55.50	55.00	-	-
	HP	1.20	2.00	2.90	3.90	4.80	5.70	-	-
1725	GPM	88.00	86.00	84.00	83.00	82.00	80.00	-	-
	HP	3.10	4.40	5.60	6.90	8.10	10.40	-	-



* Intermittent Duty