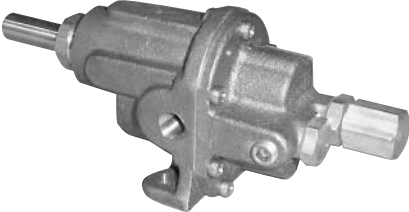


These Oberdorfer pedestal mount gear pumps will handle a wide variety of liquids including water (unusual for a gear pump), mild chemicals, diesel and lubricants. Their pedestal mount configuration enables custom long-coupled mounting on a variety of base materials with your desired drive. It also enables custom mounting within equipment, vehicles or machinery.

**OBERDORFER**



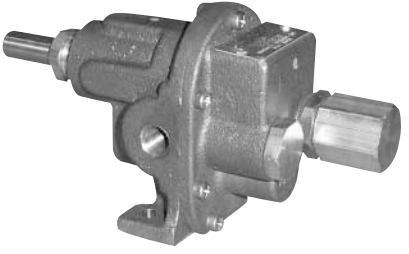
**N1000 (1/4" Ports)**

| R.P.M. | FT. HD.<br>P.S.I. | 0    | 46   | 92   | 138  | 184  | 231  | 290  | 346  |
|--------|-------------------|------|------|------|------|------|------|------|------|
|        |                   | 0    | 20   | 40   | 60   | 80   | 100  | 125* | 150* |
| 400    | GPM               | 0.50 | 0.30 | 0.10 | -    | -    | -    | -    | -    |
|        | HP                | 0.01 | 0.03 | 0.04 | -    | -    | -    | -    | -    |
| 600    | GPM               | 0.80 | 0.62 | 0.44 | 0.27 | 0.10 | -    | -    | -    |
|        | HP                | 0.02 | 0.04 | 0.06 | 0.08 | 0.10 | -    | -    | -    |
| 800    | GPM               | 1.03 | 0.87 | 0.72 | 0.56 | 0.40 | 0.24 | 0.10 | -    |
|        | HP                | 0.02 | 0.04 | 0.07 | 0.10 | 0.12 | 0.15 | 0.18 | -    |
| 1000   | GPM               | 1.26 | 1.11 | 0.96 | 0.81 | 0.66 | 0.51 | 0.33 | 0.10 |
|        | HP                | 0.02 | 0.05 | 0.09 | 0.12 | 0.15 | 0.19 | 0.24 | 0.28 |
| 1200   | GPM               | 1.50 | 1.35 | 1.20 | 1.05 | 0.90 | 0.75 | 0.60 | 0.45 |
|        | HP                | 0.03 | 0.05 | 0.12 | 0.14 | 0.17 | 0.21 | 0.26 | 0.29 |
| 1600   | GPM               | 1.95 | 1.83 | 1.70 | 1.57 | 1.45 | 1.32 | 1.15 | 0.95 |
|        | HP                | 0.04 | 0.08 | 0.13 | 0.18 | 0.22 | 0.27 | 0.33 | 0.38 |
| 1725   | GPM               | 2.10 | 1.98 | 1.86 | 1.74 | 1.62 | 1.50 | 1.35 | 1.20 |
|        | HP                | 0.05 | 0.09 | 0.14 | 0.19 | 0.23 | 0.28 | 0.34 | 0.39 |

**UP TO 2 GPM, 100 PSI  
(150 PSI Intermittent)**

- Temperatures to 400° F
- Bronze housing
- Seal Options: standard or Teflon Packing, Buna or Viton lip seal, Buna, Viton or Teflon mechanical seal
- Optional relief valve
- See Page 12, N991 series for Close-coupled version

**OBERDORFER**



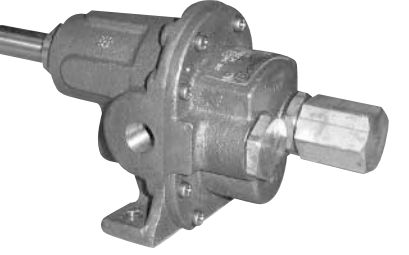
**N2000 (1/4" Ports)**

| R.P.M. | FT. HD.<br>P.S.I. | 0    | 46   | 92   | 138  | 184  | 231  | 290  | 346  |
|--------|-------------------|------|------|------|------|------|------|------|------|
|        |                   | 0    | 20   | 40   | 60   | 80   | 100  | 125* | 150* |
| 400    | GPM               | 0.97 | 0.69 | 0.40 | 0.10 | -    | -    | -    | -    |
|        | HP                | 0.02 | 0.04 | 0.08 | 0.10 | -    | -    | -    | -    |
| 600    | GPM               | 1.50 | 1.30 | 1.09 | 0.88 | 0.68 | 0.47 | 0.21 | -    |
|        | HP                | 0.03 | 0.05 | 0.09 | 0.13 | 0.18 | 0.24 | 0.26 | -    |
| 800    | GPM               | 2.03 | 1.82 | 1.62 | 1.41 | 1.21 | 1.00 | 0.65 | 0.30 |
|        | HP                | 0.04 | 0.07 | 0.11 | 0.15 | 0.22 | 0.29 | 0.36 | 0.45 |
| 1000   | GPM               | 2.50 | 2.30 | 2.10 | 1.90 | 1.70 | 1.50 | 1.00 | 0.50 |
|        | HP                | 0.04 | 0.08 | 0.13 | 0.18 | 0.24 | 0.32 | 0.45 | 0.55 |
| 1200   | GPM               | 2.92 | 2.72 | 2.52 | 2.31 | 2.10 | 1.90 | 1.50 | 1.00 |
|        | HP                | 0.05 | 0.09 | 0.16 | 0.22 | 0.28 | 0.36 | 0.48 | 0.58 |
| 1600   | GPM               | 3.75 | 3.55 | 3.35 | 3.15 | 2.95 | 2.75 | 2.45 | 2.20 |
|        | HP                | 0.06 | 0.11 | 0.18 | 0.25 | 0.33 | 0.41 | 0.53 | 0.65 |
| 1725   | GPM               | 4.07 | 3.86 | 3.65 | 3.44 | 3.23 | 3.03 | 2.80 | 2.50 |
|        | HP                | 0.10 | 0.14 | 0.20 | 0.29 | 0.37 | 0.43 | 0.56 | 0.68 |

**UP TO 4 GPM, 100 PSI  
(150 PSI Intermittent)**

- Temperatures to 400° F
- Bronze housing
- Seal Options: standard or Teflon Packing, Buna or Viton lip seal, Buna, Viton or Teflon mechanical seal
- Optional relief valve
- See Page 12, N992 series for Close-coupled version

**OBERDORFER**



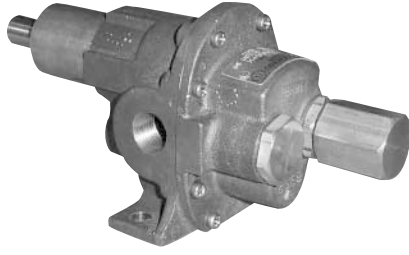
**N3000 (3/8" Ports)**

| R.P.M. | FT. HD.<br>P.S.I. | 0    | 46   | 92   | 138  | 184  | 231  | 290  | 346  |
|--------|-------------------|------|------|------|------|------|------|------|------|
|        |                   | 0    | 20   | 40   | 60   | 80   | 100  | 125* | 150* |
| 400    | GPM               | 1.50 | 1.05 | 0.70 | 0.40 | 0.20 | 0.10 | -    | -    |
|        | HP                | 0.05 | 0.08 | 0.13 | 0.15 | 0.20 | 0.24 | -    | -    |
| 600    | GPM               | 2.38 | 2.14 | 1.89 | 1.64 | 1.39 | 1.15 | 0.70 | 0.32 |
|        | HP                | 0.06 | 0.10 | 0.17 | 0.20 | 0.28 | 0.35 | 0.44 | 0.53 |
| 800    | GPM               | 3.17 | 2.90 | 2.64 | 2.37 | 2.11 | 1.85 | 1.70 | 1.30 |
|        | HP                | 0.08 | 0.17 | 0.23 | 0.20 | 0.40 | 0.48 | 0.54 | 0.65 |
| 1000   | GPM               | 4.00 | 3.74 | 3.48 | 3.22 | 2.96 | 2.71 | 2.40 | 2.15 |
|        | HP                | 0.10 | 0.18 | 0.27 | 0.38 | 0.43 | 0.55 | 0.67 | 0.80 |
| 1200   | GPM               | 4.85 | 4.60 | 4.35 | 4.10 | 3.84 | 3.58 | 3.50 | 3.20 |
|        | HP                | 0.15 | 0.25 | 0.33 | 0.45 | 0.55 | 0.68 | 0.85 | 1.00 |
| 1600   | GPM               | 6.67 | 6.42 | 6.16 | 5.90 | 5.64 | 5.38 | 5.25 | 5.00 |
|        | HP                | 0.20 | 0.30 | 0.45 | 0.58 | 0.60 | 0.85 | 1.05 | 1.25 |
| 1725   | GPM               | 7.25 | 7.00 | 6.75 | 6.50 | 6.25 | 6.00 | 5.75 | 5.50 |
|        | HP                | 0.38 | 0.50 | 0.65 | 0.80 | 0.95 | 1.10 | 1.25 | 1.40 |

**UP TO 7 GPM, 100 PSI  
(150 PSI Intermittent)**

- Temperatures to 400° F
- Bronze housing
- Seal Options: standard or Teflon packing, Buna or Viton lip seal, Buna, Viton or Teflon mechanical seal
- Optional relief valve
- See Page 12, N993 series for Close-coupled version

**OBERDORFER**



**N4000 (1/2" Ports)**

| R.P.M. | FT. HD.<br>P.S.I. | 0     | 46    | 92    | 138  | 184  | 231  | 290  | 346  |
|--------|-------------------|-------|-------|-------|------|------|------|------|------|
|        |                   | 0     | 20    | 40    | 60   | 80   | 100  | 125* | 150* |
| 400    | GPM               | 2.30  | 2.00  | 1.75  | 1.55 | 1.30 | 1.10 | 0.85 | 0.65 |
|        | HP                | 0.10  | 0.15  | 0.20  | 0.25 | 0.32 | 0.40 | 0.53 | 0.70 |
| 600    | GPM               | 3.45  | 3.20  | 2.95  | 2.75 | 2.50 | 2.30 | 2.07 | 2.14 |
|        | HP                | 0.15  | 0.20  | 0.25  | 0.35 | 0.40 | 0.60 | 0.75 | 0.94 |
| 800    | GPM               | 4.65  | 4.18  | 4.10  | 3.90 | 3.70 | 3.50 | 3.25 | 3.05 |
|        | HP                | 0.20  | 0.22  | 0.29  | 0.45 | 0.64 | 0.86 | 1.20 | 1.60 |
| 1000   | GPM               | 5.86  | 5.65  | 5.40  | 5.18 | 4.95 | 4.76 | 4.50 | 4.30 |
|        | HP                | 0.22  | 0.25  | 0.30  | 0.45 | 0.65 | 0.75 | 1.20 | 1.50 |
| 1200   | GPM               | 7.10  | 6.85  | 6.60  | 6.35 | 6.12 | 5.90 | 5.68 | 5.45 |
|        | HP                | 0.25  | 0.30  | 0.40  | 0.60 | 0.75 | 0.97 | 1.30 | 1.70 |
| 1600   | GPM               | 9.70  | 9.45  | 9.20  | 8.95 | 8.72 | 8.50 | 8.30 | 8.10 |
|        | HP                | 0.30  | 0.39  | 0.60  | 0.80 | 1.05 | 1.30 | 1.64 | 2.05 |
| 1725   | GPM               | 10.56 | 10.33 | 10.10 | 9.85 | 9.63 | 9.42 | 9.20 | 9.00 |
|        | HP                | 0.50  | 0.75  | 0.90  | 1.20 | 1.50 | 1.75 | 2.00 | 2.32 |

**UP TO 10.5 GPM, 100 PSI  
(150 PSI Intermittent)**

- Temperatures to 400° F
- Bronze housing
- Seal Options: standard or Teflon Packing, Buna or Viton lip seal, Buna, Viton or Teflon mechanical seal
- Optional relief valve
- See Page 13, N994 series for Close-coupled version

\* Intermittent Duty