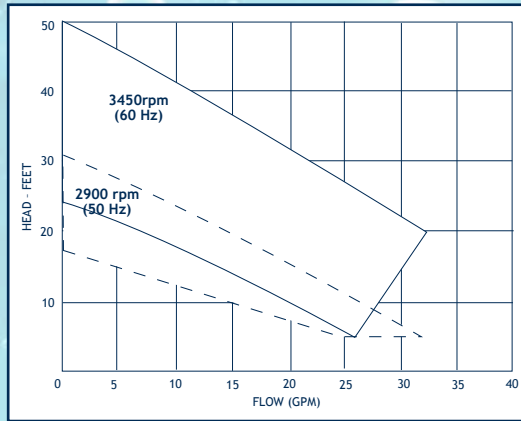


FLOODED SUCTION CENTRIFUGALS

SCOT



Model 67



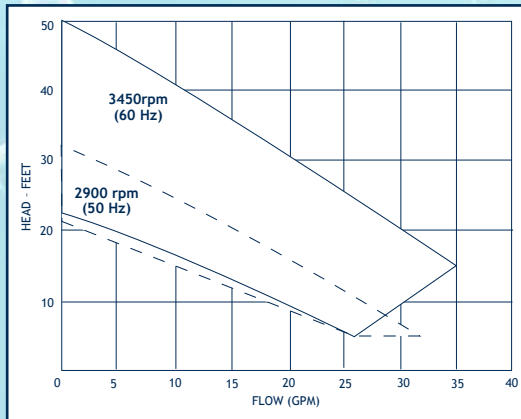
UP TO 32 GPM, 48' TDH

- Marine Air reference P100, P120, P700
- All bronze construction
- 303 stainless steel hardware
- Buna/carbon/ceramic mechanical seal
- Very compact design
- Single phase, 50/60 Hz, 115/230 vac, ignition protected capacitor start motor

SCOT



Model 68



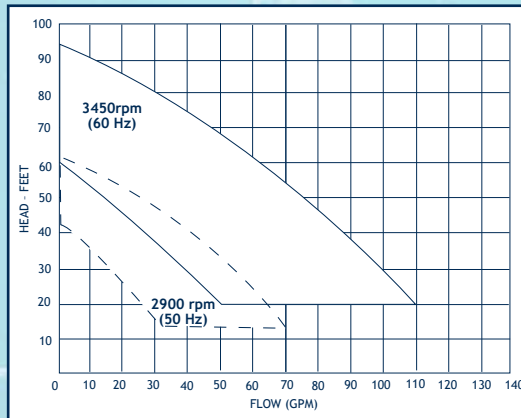
UP TO 35 GPM, 48' TDH

- Marine Air reference P100, P120, P700
- All bronze construction
- 303 stainless steel hardware
- Buna/carbon/ceramic mechanical seal
- 56 frame TEFC enclosure
- Single phase, 50/60 Hz, 115/230 vac, ignition protected capacitor start motor

SCOT



Model 77



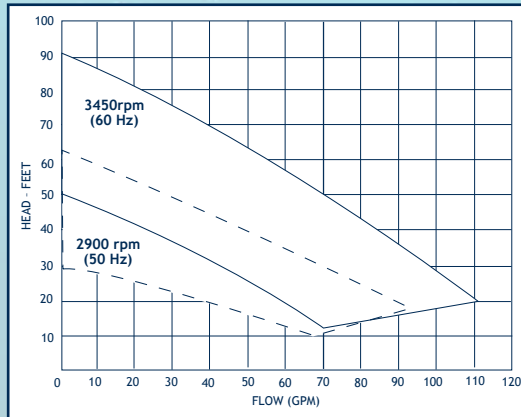
UP TO 100 GPM, 94' TDH

- Marine Air reference PH3000BX-SP
- All bronze construction
- Self-priming design
- Built-in strainer option
- Buna/carbon/ceramic mechanical seal
- 56 frame ODP enclosure
- Single or three phase, 115/230 vac or 208/230/460 vac, 50/60 Hz motor options

SCOT



Model 78



UP TO 105 GPM, 90' TDH

- Marine Air reference P710, P711
- All bronze construction
- 3163 stainless steel shaft
- 300 Series stainless hardware and base
- Buna/carbon/ceramic mechanical seal
- Single or three phase, 115/230 vac or 208/230/460 vac, ODP, TEFC, or explosion proof 50/60 Hz motor options