

GROCO 4", 5" AND 6" STRAINERS

GROCO



SE with NPT Threaded Ports

SE SERIES

Application:

For high power engines with 4" or larger raw water intake which require high flow rates and low restriction.

Features:

- No inside tie rod
- O-Ring seals
- Bronze castings
- Choice of Lucite sight glass or bronze sleeve
- Spin-off cover for easy filter basket access

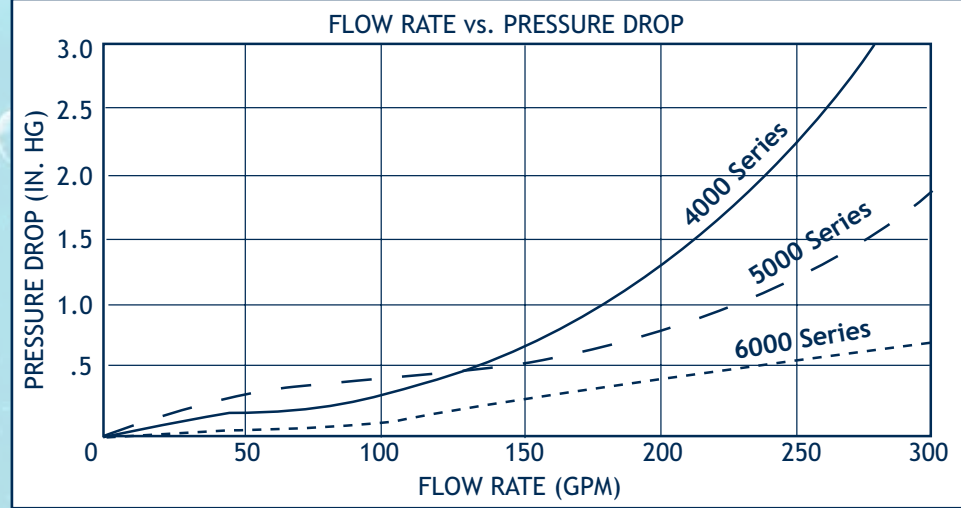
Note:

- Dotted lines apply to SEF Models only.
- "A" for SE Models refers to the top of the cap.
- "A" for SEF Models refers to the top of the flange.
- "Ratio" means open screen area to pipe ratio with standard basket.
- Standard basket .007" diameter holes. (.125" and .188" holes are optional)

GROCO



SEF with Flanged Ports

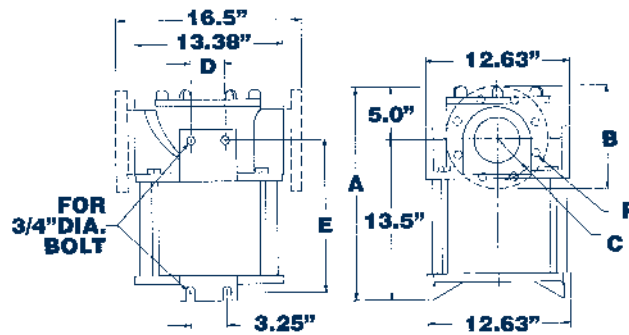


GROCO



ASEF with Flanged Ports and Bronze Enclosure

Dimensions and Specifications



MODEL	PLUMBING	DRY WEIGHT (LBS.)	RATIO	(INCHES)					
				A	B	C	D	E	F
SE-4000	4" NPT	97	10:1	18.5	-	-	3.00	13.25	-
ASE-4000	4" NPT	121							
SEF-4000	4" Flange	118	10:1	18.5	9.00	7.5	-	-	5/8" bolts
ASEF-4000	4" Flange	142							
SEF-5000	5" Flange	134	8.05:1	19.0	10.0	8.5	-	-	3/4" bolts
ASEF-5000	5" Flange	158							
SEF-6000	6" Flange	147	6.7:1	19.5	11.0	9.5	-	-	3/4" bolts
ASEF-6000	6" Flange	171							