

# JABSCO IMPELLER PULLER AND CHART

## LET IMPELLER PULLERS TAKE THE STRAIN!

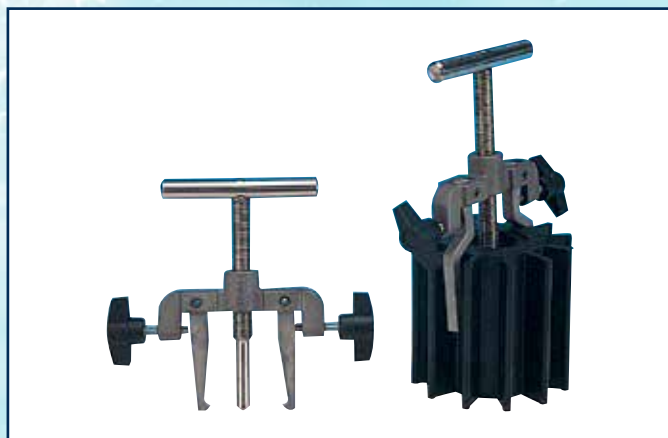
These tools provide an easy way of removing flexible impellers from a pump's impeller bore. Simply tighten the tool's grip fingers into the rubber hub of the impeller and turn the extraction screw clockwise to pull the impeller out of the pump.

The small puller is suitable for impellers with overall diameters from 2 1/4" to 2 9/16" (silhouettes K, L, M, W, X, Y, and CC). The large puller is suitable for impellers with overall diameters from 3 1/16" to 5" (silhouettes O, Q, R, U, Z, and GG).

Small Puller - JA 50070-0040  
JA 50070-0080 Reduced Clearance

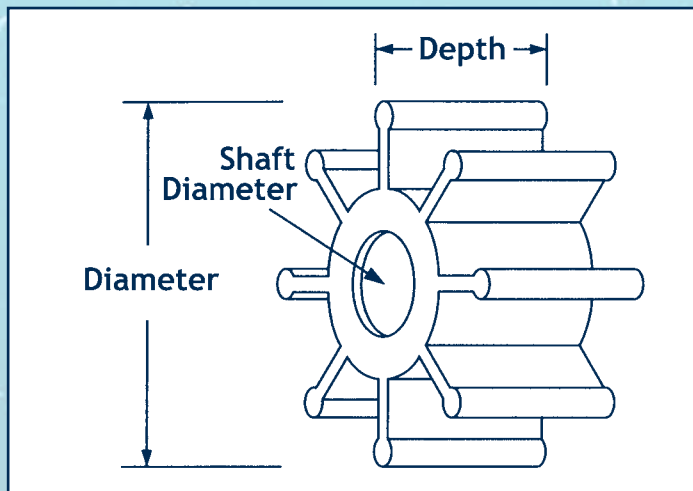
Large Puller - JA 50070-0200

Other impeller pullers - Johnson page 129, Sherwood page 175



IMPELLER CHART NUMERICAL CROSS REFERENCE				OBSOLETE IMPELLER CROSS REFERENCE			
Impeller No.	Silhouette	Impeller No.	Silhouette	Impeller No.	Silhouette	Impeller No.	Replacement
836-0001	O	5929-0003	K	17486-0001	H	673-0001	18673-0001
836-0003	O	6056-0003	M	17935-0001	Q	673-0003	18673-0003
836-0008	O	6303-0001	H	17936-0001	Q	702-0001	920-0001
920-0001	M	6303-0003	H	17937-0001	Y	790-0001	836-0001
920-0003	M	6760-0001	O	17954-0001	Y	2232-0001	Call
920-0008	M	6760-0003	O	17956-0001	Y	2232-0003	Call
1210-0001	K	7273-0001	G	18327-0001	Y	2999-0008	2999-0001
1210-0003	K	7273-0003	G	18653-0001	I	5616-0003	5606-0003
1414-0001	A	9200-0001	F	18673-0001	I	6056-0001	17956-0001
1414-0003	A	9200-0003	F	18673-0003	I	14127-0001	4568-0001
2999-0001	U	11979-0001	M	18786-0001	R	14127-0003	4568-0003
3085-0001	L	12104-0001	A	18789-0001	R	21676-0001	17936-0001
4527-0001	G	13554-0001	K	18815-0001	L	22120-0001	1877-0001K
4527-0003	G	14281-0001	K	18838-0001	W		
4528-0001	D	14609-0001	C	18948-0001	X		
4528-0003	D	14609-0003	C	18958-0001	GG		
4568-0001	K	14750-0001	B	22120-0001	K		
4568-0003	K	14750-0003	B	22405-0001	D		
4598-0001	M	14787-0001	C	22799-0001	G		
4598-0003	M	14787-0003	B	30919-0001	Z		
5616-0001	G	17018-0001	M	31130-0061	CC		
5616-0003	G	17255-0003	D				
5929-0001	K	17370-0001	Q				

## TYPES OF INSERT AND SHAFT DRIVE



1. Slotted Shaft Pin Drive	
2. Through Hole Pin Drive	
3. Key Drive	
4. Single Flat Drive	
5. Double Flat Drive	
6. Ding Drive Keyway	
7. Spline Drive	
8. Ribbed Segment Key	