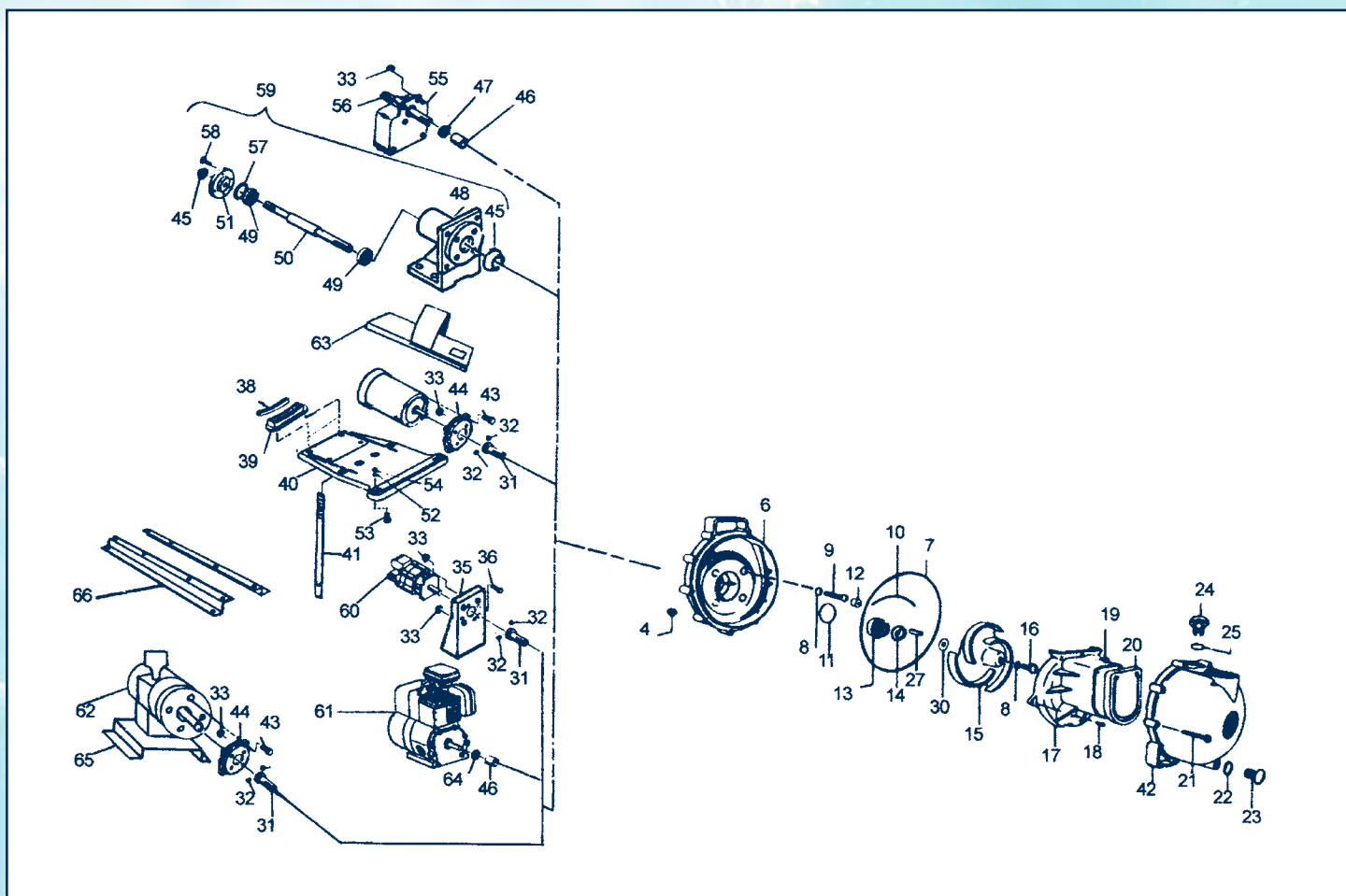


PACER AND OBERDORFER THERMOPLASTIC



Ref. #	Part #	Description	Qty.	Ref. #	Part #	Description	Qty.	Ref. #	Part #	Description	Qty.
4	721.10	Nuts, Body	10	23	723.30	Plug	1	45	1955.71	Seal	2
6	703.30	Bracket	1	24	722.30	Plug	1	46	882.90	Shaft Sleeve	1
7	719.71	O-Ring, Body	1	25	765.71	O-Ring, Filler Plug	1	47	884.71	Slinger	1
8	717.71	O-Ring, Screw	5	27	718.00	Key, Steel	1	48	1951.90	Housing	1
9	715.10	Screw, Bracket 24x1.25	4		718.10	Key, Stainless Steel	1	49	1954.90	Bearing	1
	728.10	Screw, Bracket 18x1.5	4		718.30	Key, Polyester	1	50	1952.10	Shaft	1
10	754.71	O-Ring, Segment	1	30	778.11	Shim, .006	-	51	1953.10	Plate	1
11	976.71	O-Ring, Shaft Seal	1		778.12	Shim, .015	-	52	730.00	Flat Washer	2
12	750.40	Plug	4		778.13	Shim, .030	-	53	729.00	Screw	2
13-14	714.11	Seal, Shaft	1	31	1014.10	Adaptor, Stainless Steel	1	54	745.00	Hex Nut	2
15	704.30	Impeller, 3 Vane, Open	1		1165.10	Adaptor, Titanium	1	55	759.20	Bearing Pedestal	1
	706.30	Impeller, 5 Vane	1	32	883.00	Set Screw	2	56	777.00	Bearing Shaft Assy, Std.	1
	974.30	Impeller, 4 Vane	1	33	745.00	Hex Nut	4		777.10	Bearing Shaft Assy, Stainless	1
	975.30	Impeller, 4 Vane	1	35	1011.20	Pedestal	1	57	1956.10	Shim	-
	667.30	Impeller, 3 Vane	1	36	729.00	Screw	4	58	2525.10	Screw	4
16	716.10	Screw, Impeller	1	38	1826.71	Pad	1	59	097	Bearing & Pedestal Assy.	1
17	702.30	Volute (704 & 706 Imp)	1	39	1828.90	Saddle, Electric Motor	1	60		Motor (Call)	1
	954.30	Volute (974 & 667 Imp)	1		1825.90	Saddle, Dia. Motor	1	61		Engine (Call)	1
	977.30	Volute (975 Imp)	1	40	1823.40	Baseplate	1	62		Motor (Call)	1
18	725.10	Screw, Volute	2	41	934.10	Strap	1	64	885.72	Gasket	1
19	771.10	Screw (702.30 Volute)	1	42	1001.30	Body, 1 1/2 NPT	1	65	929.00	Base Plate	1
	997.10	Screw (954 & 977 Volute)	1		1002.30	Body, 2 NPT	1				
20	705.71	Check Valve	1		755.30	Body, 3 NPT	1				
21	720.10	Screw, Body	10	43	1015.00	Screw	4				
22	1009.71	O-Ring, Drain Plug	1	44	1010.20	Adaptor	1				