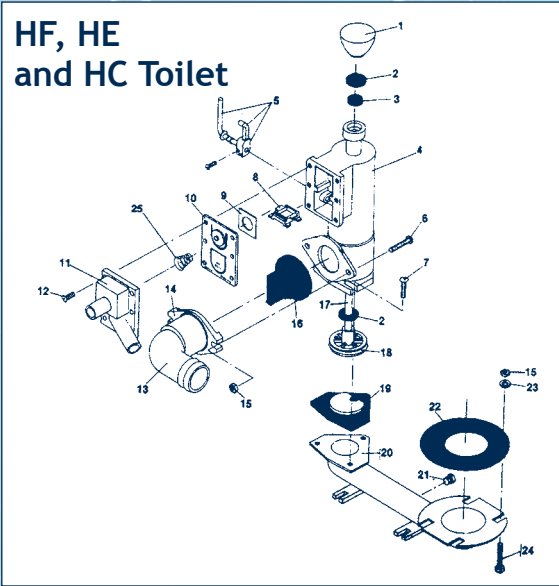


GROCO MANUAL AND ELECTRIC TOILETS

HF, HE and HC Toilet



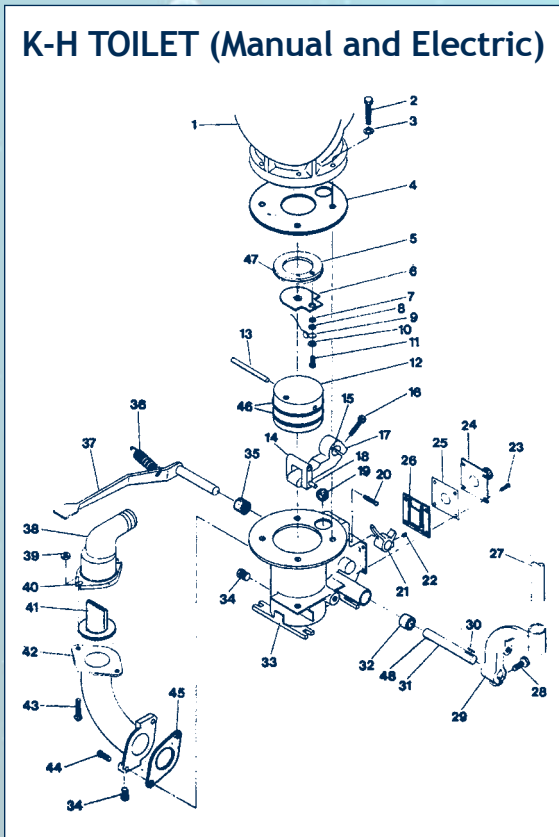
PARTS and ASSEMBLY

The evolution of the HC toilet to models HE and HF has necessitated that some parts be changed, added, or eliminated. The exploded view drawing represents the current model HF configuration, but will serve as a parts listing and assembly guide for HC and HE models as well. To select the proper replacement part number, simply read down beneath the toilet model you have; if no part number appears, move to the first part number shown to the left.

| C | U | R | M | P | Item | Name | HF Part No. | HE Part No. | HC Part No. | Comments |
|---|---|---|---|---|------|----------------------|-------------|-------------|-------------|---|
| | | | | | 1 | Knob (use T-Handle) | | | | |
| | | | | | 2 | T-Handle | HT-1085 | | | Optional |
| | | | | | 3 | Washer | HC-12 | | | |
| | | | | | 4 | Seal | 037-075-8 | | | |
| | | | | | 5 | Cylinder | HF-C | | HC-C | |
| | | | | | 6 | Cam Assembly | HF-20 | | HC-20 | |
| | | | | | 7 | Screw | 1420X114RS | | | |
| | | | | | 8 | Screw | 1420X34RB | | | Was not original equipment on HC, HE and early HF |
| | | | | | 9 | Bridge | HF-28 | | | |
| | | | | | 9 | Check Plate | HC-5 | | | |
| | | | | | 10 | Gasket | HF-1 | | HC-1 | |
| | | | | | 11 | Cover | HC-2-A | | | |
| | | | | | 12 | Screw | 1024X58HS | | | |
| | | | | | 13 | Elbow, 90° Discharge | HA-1 | | | Optional |
| | | | | | 14 | Straight Discharge | HA-13 | | | |
| | | | | | 15 | Bracket | HA-11 | | | |
| | | | | | 16 | Hex Nut | 1420HS | | | |
| | | | | | 17 | Joker Valve | H-27A | | | |
| | | | | | 18 | Shaft | HF-21 | | | Replaces 7 1/2" Shaft HF-10 works best but requires HF-21 shaft w/HC and HE models. |
| | | | | | 18 | Piston Ring Assembly | HF-10 | | HC-10 | |
| | | | | | 19 | Gasket | HE-8 | | | HA-8 |
| | | | | | 20 | Base, Bronze | HF-22-B | | | HC-22-B |
| | | | | | 21 | Drain Plug | 1827HB | | | |
| | | | | | 22 | Gasket | H-6 | | | |
| | | | | | 23 | Washer | 16-S | | | |
| | | | | | 24 | Bolts | 1420X2HB | | | |
| | | | | | 25 | Spring | HF-26 | | | |
| | | | | | | Joker Bowl | 4967 | | HT-49-A | |
| | | | | | | Seat and Cover | TC-50 | | | |
| | | | | | | Bowl Spud | ZS-1 | | | |
| | | | | | | Water Hose | HC-23 | | | |
| | | | | | | Bowl Elbow | H-7 | | | |
| | | | | | | Adaptor Kit | HCHF | | | Adapts HC-C to HF base |
| | | | | | | Not Shown | | | | Snap small end over 1/4" boss on HF Gasket. Not used on HF model. |

C = Cam Kit U = Upgrade Kit R = Regular Service Kit M = Master Service Kit P = Pump

K-H TOILET (Manual and Electric)



- Included in K Regular Kit
- K Pump Assembly consists of Items 5-47

| R | Item | Part Number | Description | Qty. |
|---|-----------|----------------|--|------|
| | 1 | 4978 | Bowl, Marine size (no longer available) | 1 |
| | | 4985 | Bowl, House size (Requires 500-D Seat & Cover) | |
| | 2 | 51618X2HB | Bolt | 4 |
| | 3 | 20-LP | Washer | 4 |
| | 4 | HT-52-A | Bowl Gasket | 1 |
| | 5 | K-4 | Bowl Flap Plate | 1 |
| | 6, 7 | HT-26-A | Gasket Assembly | 1 |
| | 8-11 | HT-84-A | Spring Assembly | 1 |
| | 12-18 | K-32 | Piston Assy. w/Crank | 1 |
| | | K-3 | Piston & Rings (Before S/N 0892) | 1 |
| | | K-92 | Piston & Rings (After S/N 0892) | |
| | 12 | K-3-P | Piston Pin | 1 |
| | 13 | K-2 | Crank Assembly | 1 |
| | 14-18 | K-2 | Crank Assembly | 1 |
| | 19 | HT-56 | Check Ball | 1 |
| | 20 | 1024X1RB | Screw | 1 |
| | 21, 22 | K-1 | Cam & Set Screw | 1 |
| | 23 | 1024X12HB | Screw | 4 |
| | 24 | HT-3556 | Inlet | 1 |
| | 25 | HT-3557-A | Gasket | 1 |
| | 26 | HT-3557 | Gasket | 1 |
| | 27 | HT-3560-C | Handle | 1 |
| | 28 | 51618X1HB | Bolt | 1 |
| | 29 | HT-3560-D | Arm | 1 |
| | 30 | #8 Key | Woodruff Key | 1 |
| | 30, 31 | HT-6566-K | Pump Shaft & Keys | 1 |
| | 30, 48 | KS | Key Set | 1 |
| | 32 | WS-2422 | Seal | 1 |
| | 33 | K-A | Pump Casting | 1 |
| | 34 | 1827HB | Drain Plug | 1 |
| | 35 | HT-3564 | Seal | 1 |
| | 36 | S-72587 | Spring | 1 |
| | 37 | HT-3570-A | Pedal | 1 |
| | 38 | HA-1 | Discharge | 1 |
| | 39 | 1420HB | Hex Nut | 2 |
| | 40 | HA-11 | Bracket | 1 |
| | 41 | H-27-A | Joker Valve | 1 |
| | 42 | K-8 | Discharge | 1 |
| | 43 | 1420X114RB | Screw | 2 |
| | 44 | 1420X34RB | Screw | 2 |
| | 45 | K-7-A | Gasket | 1 |
| | 46 | K-3-R | Piston Rings Only | 2 |
| | 47 | 2-041 | O-Ring (After 05/89) | 1 |
| | 48 | 1/8 Square Key | Key | 1 |
| | Not Shown | 500-D | Seat & Cover for 4985 | 1 |