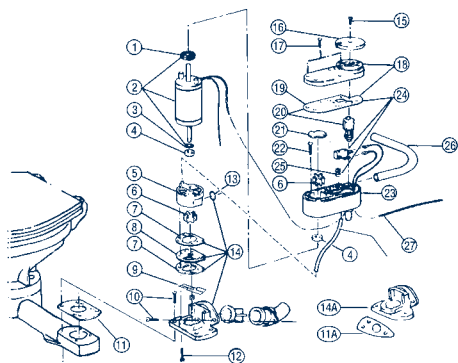
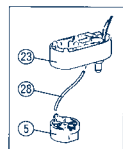


29200 - Series



REPAIR KITS AVAILABLE

Kit	Part No.	Description
A	29101-0000	Service Kit
B	29109-0000	Hardware Kit
C	29116-1000	Waste & Flush Pump Housing Assys.

MOUNTING ADAPTOR KITS

Toilet Model	Adaptor Kit
GROCO HE, GROCO HF *3 Hole Equilateral Triangle)	JA 29080-0000
Raritan Compact, Raritan PH & PH II, Sealand 752 (4 Hole Square Pattern)	JA 29110-0000

PARTS LIST

Key	Description	Qty. Per Toilet	Part No.	Qty. Per Repair Kit		
				A	B	C
1	Slinger (Large)	1				
2	Motor Assembly 12v 24v	1	29108-0120 29108-0240			
3	Slinger (Small)	1		1		
4	Seal	2	18753-0384	2		2
5	Waste Pump Body	1				1
6	Impeller	2	6303-0003	2		
7	Gasket (Paper)	2	18753-0167	2	2	2
8	Wearplate (Stainless Steel)	1	18753-0168			1
9	Chopper + Lock Nut	1	29102-1000			
10	Mounting Screw	-		1		1
11	Base Gasket (Rubber)	1	29072-1000			
11A	Base Gasket (59128-series)	1	18753-0173			
12	Screw (Waste Pump)	4				4
13	O-ring	1	18753-0169	1		1
14	Macerator Housing	1	29071-1000			
14A	Mac. Housing (59128-series)	1	18753-0172			
15	Screw (Control Knob)	1		1	1	1
16	Control Knob	1	29077-1000			
17	Screw (Flush Pump Cover)	7		1	7	1
18	Flush Pump Cover Assy.	1	29081-1000			
19	Flush Pump Gasket (Cork)	1	29075-1000	1		1
20	Control Valve Assy.	1	29083-1000			
21	Wearplate (Brass)	1	18753-0170			1
22	Screw (Flush Pump)	2		1	2	1
23	Flush Pump Housing	1				1
24	Switch Assy.	1	29103-1000	1		
25	Switch Spring	1	18753-0171			1
26	Hose (All Toilets)	1	29035-1000			
27	Cable Assy.	1				
28	Bleed Tube	1	29019-1010	1		1

Galley Maid Toilet Pump

