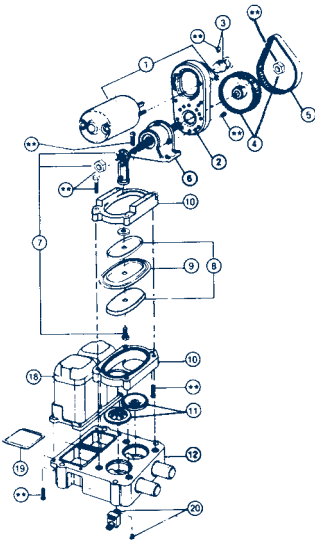


JABSCO / PAR / REPLACEMENT PARTS

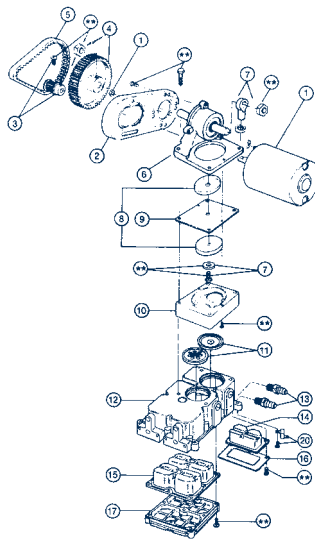
34600 AND 36600 SERIES

34600-SERIES (Was 4600 J)



• Indicates items included in Hardware Kit (Key 21)

36600-SERIES (Was 6600 J)



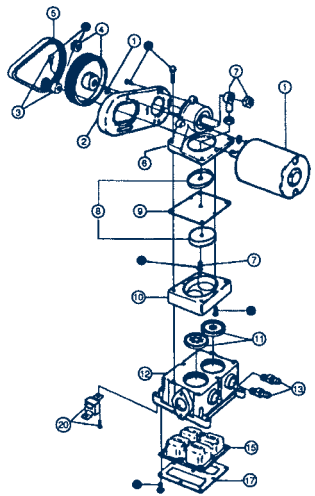
• Indicates items included in Hardware Kit (Key 21)

| Description | Key | 34600-Series | | 36600-Series | |
|-------------------------------|--------------|---------------------------------------|------------|--------------|------------|
| | | Part Number | Qty | Part Number | Qty |
| Motor Kit | 12 Volt D.C. | 1 | 30200-0000 | 1 | 30200-0000 |
| | 24 Volt D.C. | | 30200-0010 | | 30200-0010 |
| | 32 Volt D.C. | | 30200-0020 | | 30200-0020 |
| | 115 vac | | 30200-0050 | | 30200-0050 |
| Motor Mount | 2 | 34628-0000 | 1 | 34628-0000 | 1 |
| Small Pulley | 3 | 37169-0000 | 1 | 37169-0000 | 1 |
| Large Pulley | 4 | 37170-0001 | 1 | 37171-0001 | 1 |
| Belt | 5 | 30021-0000 | • 1 | 30022-0000 | • 1 |
| Jack Shaft Assembly | 6 | 35037-0001 | 1 | 35691-0001 | 1 |
| Connecting Rod Assembly | 7 | 37172-0001 | 1 | 37173-0001 | 1 |
| Old Style w/Allen Screw Drive | 1 | 37172-0000 | 1 | 37173-0000 | |
| Diaphragm Plates | 8 | Top: 34640-0000 Bottom: 34637-0000 | 1 | 35212-0000 | 2 |
| Diaphragm | 9 | 30012-0000 | • 1 | 30016-0000 | • 1 |
| Retainer | 10 | Top: 34633-0000 Bottom: 34634-0000 | 1 | 35173-0000 | 1 |
| Valve Set (Inlet & Outlet) | 11 | 30002-0000 | • † 1 set | 30003-0000 | • † 1 set |
| Base Assembly † | 12 | 34623-0000 | † 1 | 35630-1100 | † 1 |
| Ports (Inlet & Outlet) | 13 | — | | 37175-0000 | † 1 |
| Small Pulsation Dampener | 14 | — | | 37177-0000 | • † 1 |
| Pulsation Dampener | 15 | — | | 37178-0000 | • † 1 |
| Small Bottom Plate | 16 | — | | 35628-0000 | † 1 |
| Bottom Plate | 17 | — | | 35623-0000 | † 1 |
| Surge Chamber | 18 | 34635-0000 | 1 | — | |
| Gaskets | 19 | 37181-0000 | † 1 set | — | |
| Vibration Pad Kit | 20 | 37180-0000 | 1 set | 37180-0000 | † 1 set |
| Hardware Kit | 21 | 37164-0001 | 1 set | 37165-0001 | 1 set |
| Service Kit* | | 30101-0000 | • | 30124-0000 | • |

• Indicates parts contained in service kits.

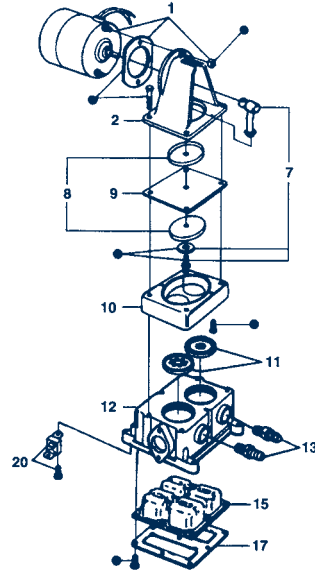
36680 AND 36960 SERIES

36680-SERIES (Was 6680 J / 6685 J)



• Indicates items included in Hardware Kit (Key 21)

36960-SERIES (Was 6960 J)



• Indicates items included in Hardware Kit (Key 21)

| Description | Key | 36680-Series | | | 36960-Series | | | | | |
|-----------------------------|--------------|--------------|--------------------------|--------------------------|--------------|--------------------------|--------------------------|---|---|---|
| | | Part Number | Series Qty (1000) (2000) | Series Qty (1000) (2000) | Part Number | Series Qty (1000) (2000) | Series Qty (1000) (2000) | | | |
| Motor Kit | 12 Volt D.C. | 1 | 30200-0000 | 1 | X | X | 30202-0000 | 1 | X | X |
| | 24 Volt D.C. | | 30201-0010 | | | | 30202-0010 | | | |
| | 32 Volt D.C. | | 30200-0020 | | | | 30202-0020 | | | |
| Motor Mount | 2 | 34628-0000 | 1 | X | X | 35487-0000 | 1 | X | X | |
| Small Pulley | 3 | 37169-0000 | 1 | X | X | — | | | | |
| Large Pulley | 4 | 37171-0000 | 1 | X | X | — | | | | |
| Belt | 5 | 30022-0000 | • 1 | X | X | — | | | | |
| Jack Shaft Assembly | 6 | 35690-0002 | 1 | X | X | — | | | | |
| Connecting Rod Assembly | 7 | 37173-0001 | 1 | X | X | 30040-0000 | • 1 | X | X | |
| Old Style w/Allen Screw Dr. | | 37173-0000 | | | | — | | | | |
| Diaphragm Plates | 8 | 35212-0000 | 2 | X | X | 35688-0000 | 2 | X | X | |
| Diaphragm | 9 | 30016-0000 | • 1 | X | X | 30015-0000 | • 1 | X | X | |
| Retainer | 10 | 35173-0000 | 1 | X | X | 35455-0000 | 1 | X | X | |
| Valve Set (Inlet & Outlet) | 11 | 30003-0000 | • † 1 set | X | X | 30003-0000 | • † 1 set | X | X | |
| Base Assembly † | 12 | 35620-0000 | † 1 | X | | 35620-0000 | † 1 | X | | |
| | | 44114-1000 | † 1 | X | | 44114-1000 | † 1 | X | | |
| Ports (Inlet & Outlet) | 13 | 37175-0000 | † 1 | X | X | 37175-0000 | 1 | X | X | |
| Small Pulsation Dampener | 14 | — | | | | — | | | | |
| Pulsation Dampener | 15 | 37178-0000 | • † 1 | X | | 37178-0000 | • † 1 | X | | |
| | | 44127-1000 | | X | | 44127-1000 | † | | X | |
| Small Bottom Plate | 16 | — | | | | — | | | | |
| Bottom Plate | 17 | 35686-0000 | † 1 | X | X | 35686-0000 | † 1 | X | X | |
| Surge Chamber | 18 | — | | | | — | | | | |
| Gaskets | 19 | — | | | | — | | | | |
| Vibration Pad Kit | 20 | 37180-0000 | † 1 set | X | | 37180-0000 | † 1 set | X | | |
| | | 43990-0058 | | X | | 44990-0058 | † 1 set | X | | |
| Hardware Kit | 21 | 37166-0001 | 1 set | X | | 37166-0000 | 1 set | X | | |
| | | 43990-0071 | 1 set | X | | 43990-0060 | 1 set | X | | |
| Service Kit* | | 30125-0000 | • | X | | 30120-0000 | • | X | | |
| | | 43990-0062 | • | X | | 43990-0063 | • | X | | |

• Indicates parts contained in service kit.

† Indicates parts supplied with base assembly.