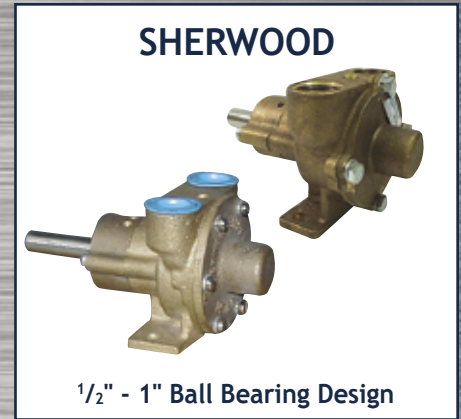
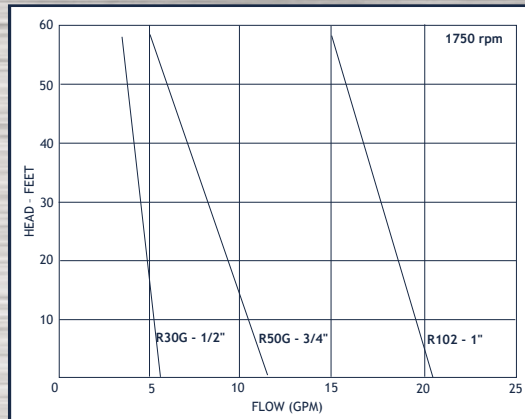


BRONZE FLEXIBLE IMPELLER

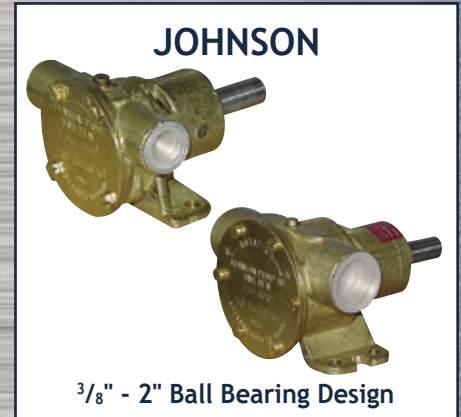
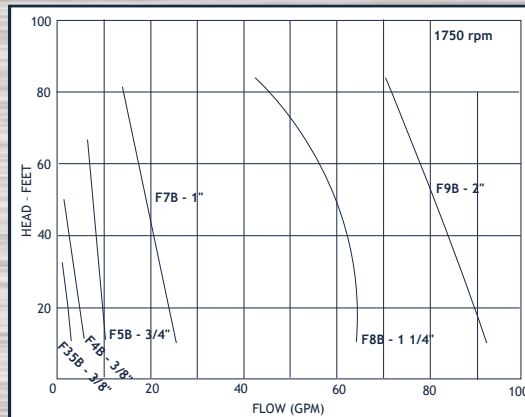
UP TO 22 GPM, 60' TDH

- Construction: bronze
- Stainless steel shaft
- Ball bearing design
- Impeller Options: Neoprene or Buna
- Pedestal mounting
- Mechanical seal
- NPT Ports



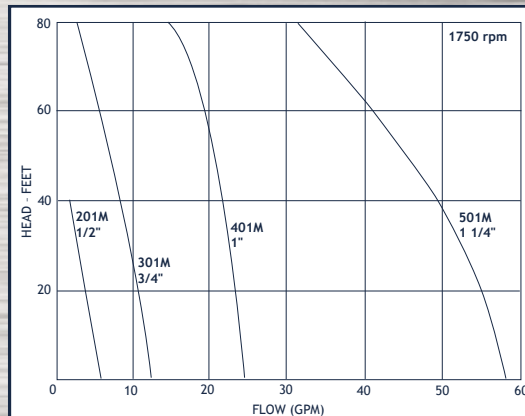
UP TO 92 GPM, 80' TDH

- Construction: bronze
- Stainless steel shaft
- Ball bearing design
- Impeller Options: Neoprene or Buna
- Pedestal mounting
- Mechanical seal
- NPT Ports



UP TO 58 GPM, 80' TDH

- Construction: bronze
- Chrome-Nickel Alloy shaft
- Dual ball bearing design
- Impeller Options: Neoprene or Buna
- Pedestal mounting
- Mechanical seal
- NPT Ports



UP TO 28 GPM, 70' TDH

- Construction: bronze
- Grease cups for bushing lubrication
- Unique impeller compound - good for oils and mild chemicals
- Pedestal mounting
- Lip seal
- NPT Ports

