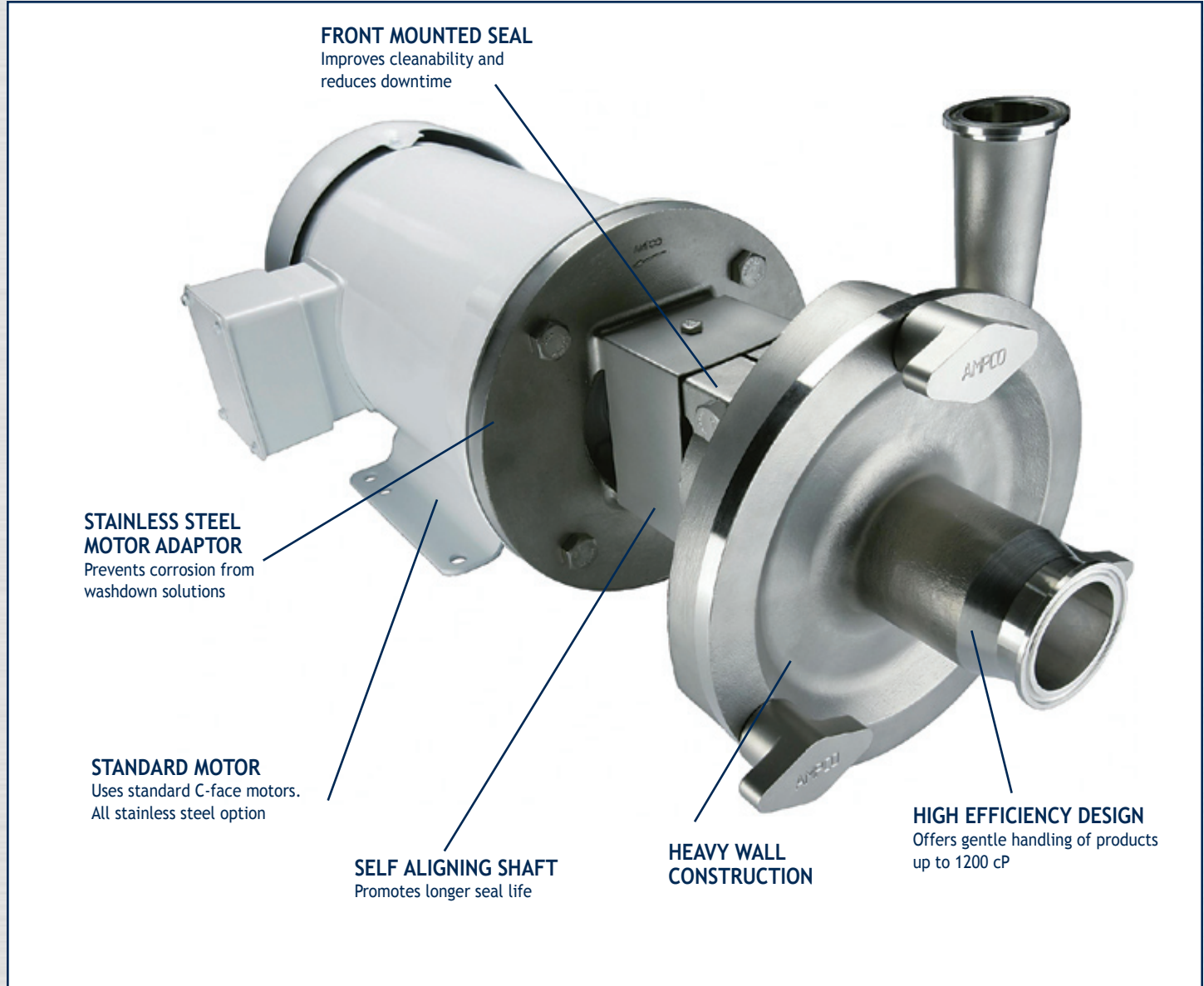


HEAVY DUTY SANITARY CENTRIFUGALS

AMPCO LC, LD, LF AND SP SERIES PUMPS

Flows to 925 gpm, pressures to 435 feet of head

Ampco now offers 4 lines of high efficiency, heavy duty centrifugal pumps to meet all your sanitary requirements. The LC, LD, SP and LF pumps. These are interchangeable with the Fristam FPX, FP, FPR and FZX pumps



Model	Max GPM at 1750 rpm	Max TDH at 1750 rpm	Inlet (inches)	Outlet (Inches)	Model	Max GPM at 3500 rpm	Max TDH at 3500 rpm	Inlet (inches)	Outlet (Inches)
R01	33	16	1-1/2	1-1/2	R02	55	65	1-1/2	1-1/2
R11	60	29	2	1-1/2	R12	117	108	2	1-1/2
R21	80	37	2	1-1/2	R22	145	142	2	1-1/2
R31	90	47	2	1-1/2	R32	175	175	2-1/2	2
R41	115	67	2-1/2	2	R42	180	263	2-1/2	2
-	-	-	-	-	R132	345	202	2-1/2	2
R141	169	80	2-1/2	2	R142	460	305	2-1/2	2
V521	190	37	2-1/2	2	V522	380	150	2-1/2	2
V531	268	58	2-1/2	2	V532	450	215	2-1/2	2
V541	330	71	3	2-1/2	V542	760	280	3	2-1/2
V551	630	118	3	2-1/2	V552	750	435	3	2-1/2
X051	750	110	4	4	-	-	-	-	-
X151	925	132	4	4	-	-	-	-	-
X161	825	180	4	4	-	-	-	-	-