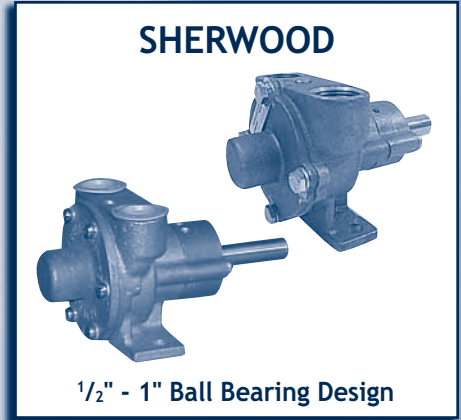
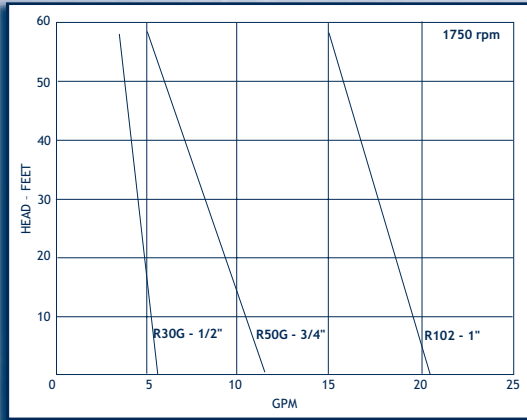


# BRONZE FLEXIBLE IMPELLER

## CONTENTS UP TO 22 GPM, 60' TDH

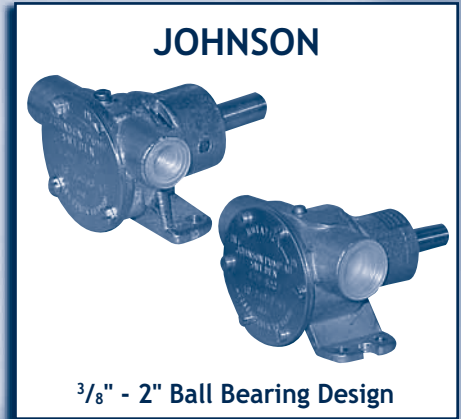
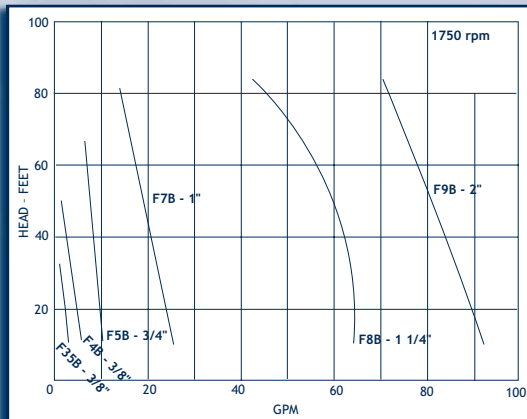
- INDEX
- Construction: bronze
- Stainless steel shafts
- Ball bearing design
- NEXT
- Impeller Options: Neoprene or Buna
- Mechanical Seal
- BACK
- NPT Ports

HOME



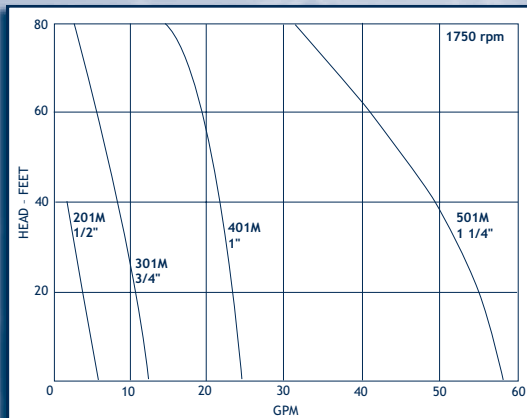
## UP TO 92 GPM, 80' TDH

- Construction: bronze
- Stainless steel shafts
- Ball bearing design
- Impeller Options: Neoprene or Buna
- Mechanical Seal
- NPT Ports



## UP TO 58 GPM, 80' TDH

- Construction: bronze
- Chrome-Nickel Alloy shaft
- Dual ball bearing design
- Impeller Options: Neoprene or Buna
- Mechanical Seal
- NPT Ports



## UP TO 28 GPM, 70' TDH

- Construction: bronze
- Grease cups for bushing lubrication
- Unique impeller compound - good for oils and mild chemicals
- Lip Seal
- NPT Ports

