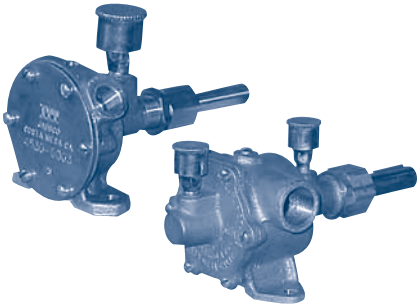
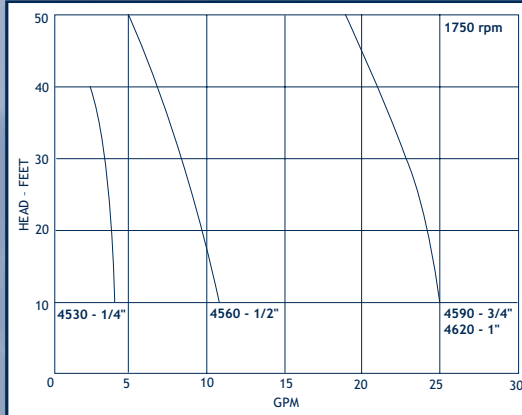


BRONZE FLEXIBLE IMPELLER

JABSCO



1/4" - 1" Bronze Bearing Design



UP TO 33 GPM, 50' TDH

- Construction: bronze
- Stainless steel shafts
- Bronze sleeve-type bearing
- Impeller Options: Neoprene or Buna
- Shaft Sealing: Adjustable packing
- NPT Ports
- Pedestal mounting

CONTENTS

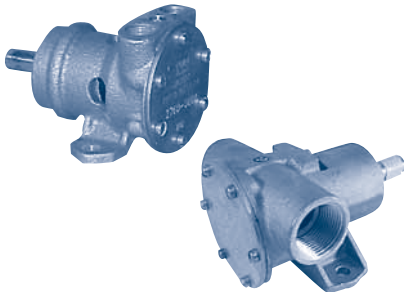
INDEX

NEXT

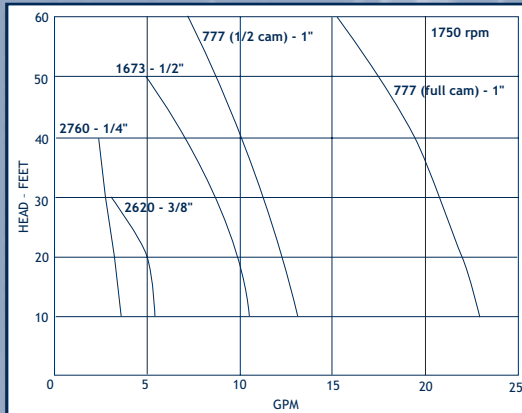
BACK

HOME

JABSCO



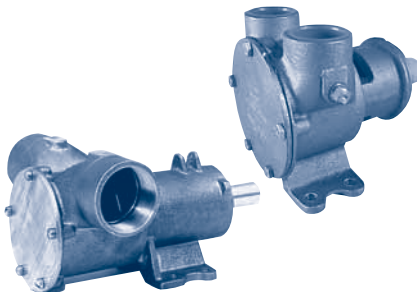
1/4" - 1" Ball Bearing Design



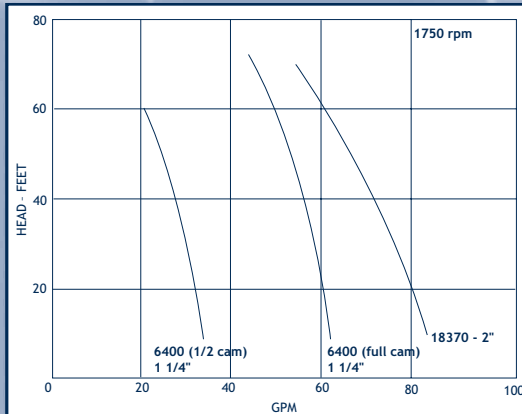
UP TO 35 GPM, 60' TDH

- Construction: bronze
- Stainless steel shafts
- Ball bearing design
- Impeller Options: Neoprene, Buna or Viton® (777 series only)
- Shaft Sealing: Lip or mechanical seal
- NPT Ports
- Pedestal mounting

JABSCO



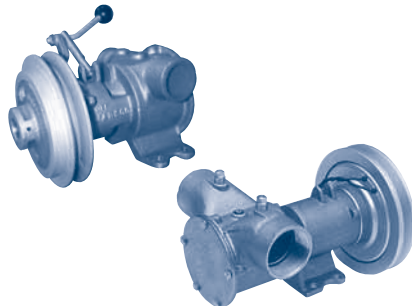
1 1/4" - 2" Ball Bearing Design



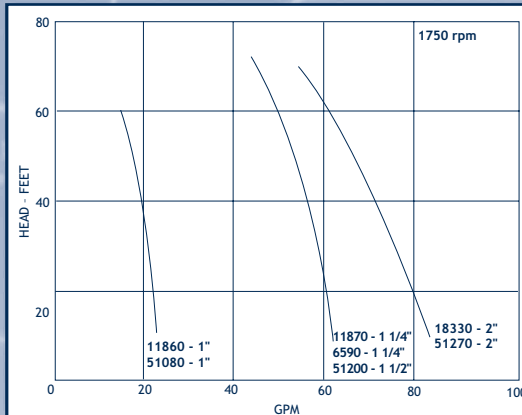
UP TO 83 GPM, 70' TDH

- Construction: bronze
- 316SS stainless steel shafts
- Ball bearing design
- Impeller Options: Neoprene or Buna
- Mechanical seals
- NPT Ports
- Pedestal mounting

JABSCO



Clutch Drive



UP TO 83 GPM, 70' TDH

- Construction: bronze
- 316SS stainless steel shafts
- Clutch-driven: 12v, 24v or manually operated
- Impeller Options: Neoprene, Buna or natural rubber
- Mechanical seal
- NPT Ports
- Pedestal mounting