

# OIL CHANGE & DIESEL TRANSFER VANE

## REVERSIBLE OIL CHANGE, DIESEL TRANSFER PUMPS

These Jabsco pumps utilize the proven vane pump design, which is ideally suited for oil and diesel transfer. Each pump comes equipped with a three-way reversible switch that allows the removal of the old oil and the filling of the new. Each pump has 1/2" FPT internal ports with 1" external hose barbs and includes 2 adapters for 3/4" garden hose. The service kit includes the vanes, rotor, o-ring, and seal and can be ordered under the number JA 90200-0000. **Not for pumping gasoline!**

Model Number	Volts D.C.	Max GPM	Amp Draw	Dimensions (H x W x L)
JA 45710-1000	12	5	8	3 3/8" x 4 3/4" x 8 5/8"

## OIL CHANGE / DIESEL TRANSFER PUMPS

These Jabsco pumps are ideal for oil change or diesel transfer where a reversing switch is not required. Each pump has 1/2" FPT internal ports with 1" external hose barbs and includes 2 adapters for 3/4" garden hose. The service kit includes the vanes, rotor, o-ring, and seal and can be ordered under the number JA 90200-0000. **Not for pumping gasoline!**

Model Number	Volts D.C.	Max GPM	Amp Draw	Dimensions (H x W x L)
JA 45710-0000	12	5.5	8	3 3/8" x 4 3/4" x 7 1/8"
JA 45710-0010	24	5.5	5	3 3/8" x 4 3/4" x 7 1/8"

## 115 VAC DIESEL TRANSFER PUMP

The Jabsco 115 vac 45740-0000 pump will empty a 55 gallon drum of diesel in 7 minutes! It comes with a 6-foot power cord and has 1/2" FPT internal ports with 1" external hose barbs. The pump also includes 2 adapters for 3/4" garden hose. The service kit includes the vanes, rotor, o-ring, and seal and can be ordered under the number JA 90200-0000. **Not for pumping gasoline!**

Model Number	Volts D.C.	Max GPM	Amp Draw	Dimensions (H x W x L)
JA 45740-0000	115	8.5	3	5 3/4" x 4 5/8" x 9 1/2"

## HIGH VOLUME D.C. DIESEL TRANSFER PUMPS

These Jabsco high volume pumps are available in 12 & 24 vdc and 9, 12, & 25 gallons per minute flows. The 50130 series has the added feature of an internal by-pass. This allows the fuel to be by-passed within the pump while the discharge line is restricted or shut-off during operation. This feature enables the user to start and stop the flow with a nozzle at the end of the hose, eliminating the need of controlling the flow with the power switch. **Not for pumping gasoline!**

Model Number	Volts D.C.	Max GPM	Amp Draw	Port Size	Dimensions (H x W x L)
JA 50130-1000	12	9	13	3/4" Barb	4" x 7" x 6 3/8"
JA 50130-1100	24	9	6	3/4" Barb	4" x 7" x 6 3/8"
JA 23540-1200	12	12	15	1" FPT	5 3/4" x 5" x 8 1/2"
JA 23540-1300	24	12	7	1" FPT	5 3/4" x 5" x 8 1/2"
JA 23550-1300	24	25	15	1-1/4" FPT	7 1/8" x 5 11/16" x 9 3/4"

### JABSCO



Reversible

### JABSCO



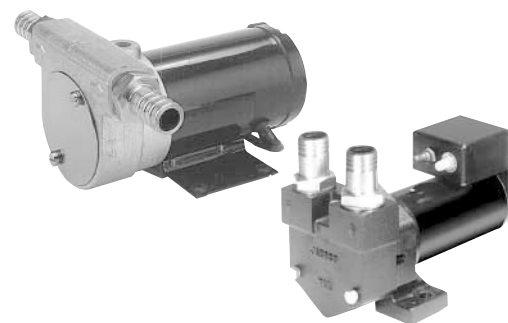
12 & 24 vdc

### JABSCO



115 vac

### JABSCO



High Volume 12 & 24 vdc