

Progressive cavity and peristaltic pump types move a measured volume of material in a gentle, smooth fashion, and are able to handle solids and abrasives. Selection is limited by temperature and chemical compatibility of the hose on a peristaltic pump and the stator on a progressive cavity pump. (Sanitary models on page 102, precise metering models on page 120)

**ECONOMY PERISTALTIC**



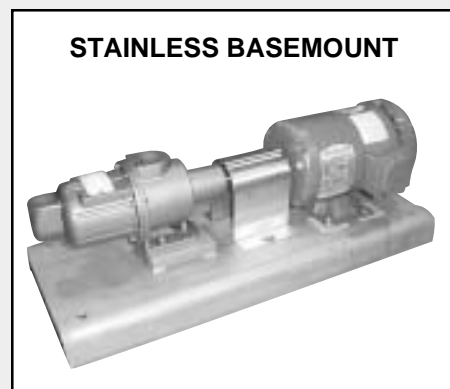
Need an economical peristaltic pump? Here is a 2.2 gpm, 1/4 hp, 115 vac model that will develop 20 psi and lift 15 feet! It even has a carrying handle! Can you beat that? (See page 47)

**SCR DRIVE PC**



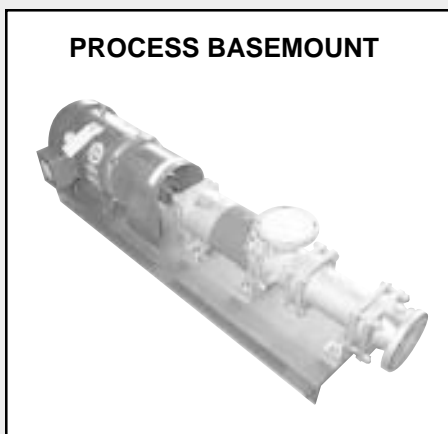
A DC motor and drive combination allows the owner of this custom progressive cavity pump assembly to adjust his flow rate to balance the entire system. We can do the same for you!

**STAINLESS BASEMOUNT**



We will custom manufacture a base with riser and guard to meet your exact requirements. This assembly includes a variable frequency drive allowing the customer to remotely control flow rate.

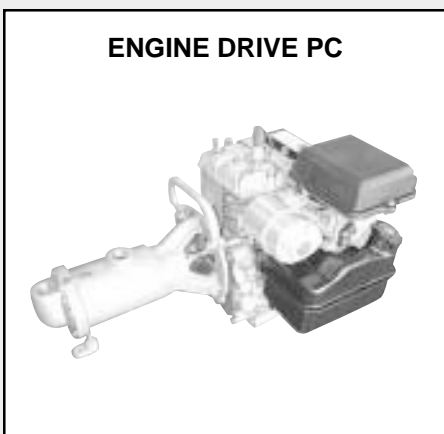
**PROCESS BASEMOUNT**



PC pumps end up long and narrow.  
Diameter = Volume  
Length = Pressure.

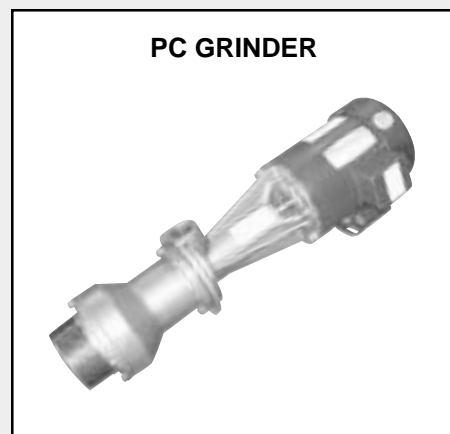
This assembly supplied the customer with an ample supply of both!

**ENGINE DRIVE PC**



Ever seen an engine driven progressive cavity? (Hint: It's an Oberdorfer. I bet you thought they only made gear pumps.) We've got a lot of odd stuff! Give us a call on your next unique application.

**PC GRINDER**



1/2 hp, 4" inlet, progressive cavity pump with chopper.  
PUMPS RAW SEWAGE AT 100 PSI!  
(See page 45)