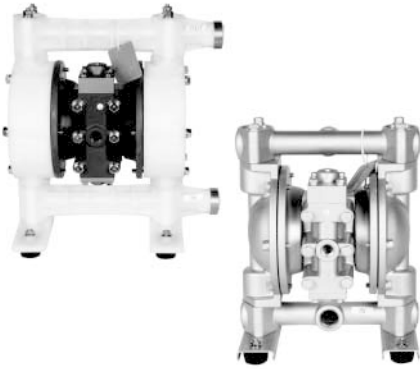
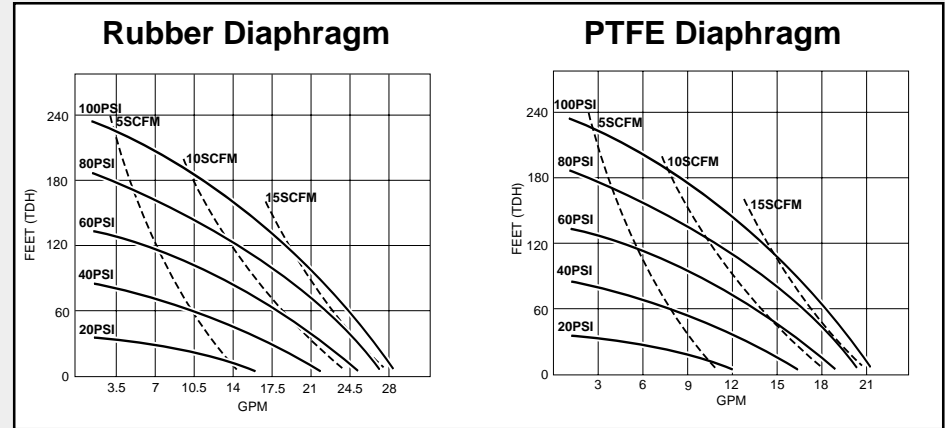


YAMADA



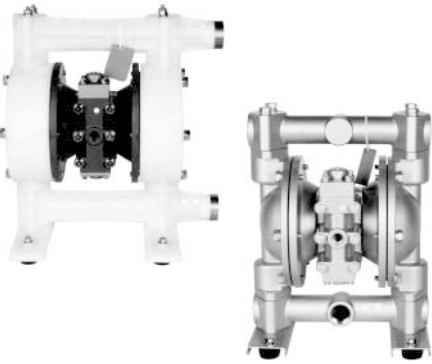
NDP-20 Series (3/4")

**UP TO 28 GPM IN POLYPROPYLENE,
ALUMINUM & 316SS**



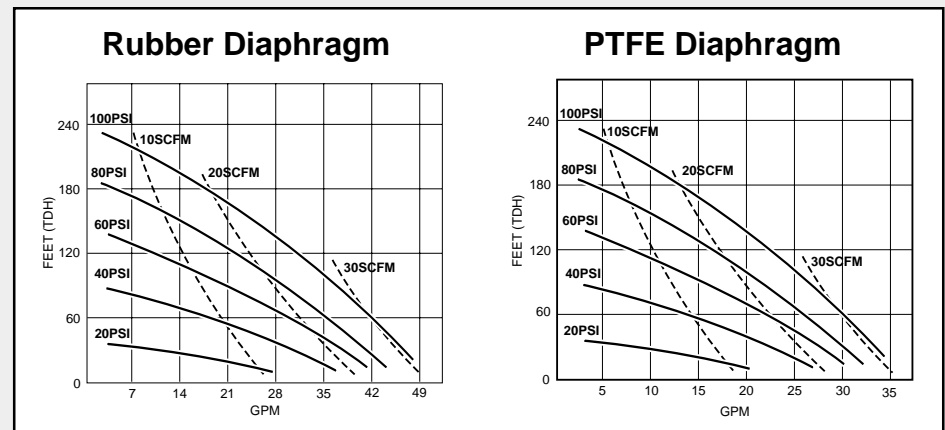
Diaphragm Materials: PTFE, Viton, EPDM, Santoprene, Hytrel, Buna & Neoprene

YAMADA



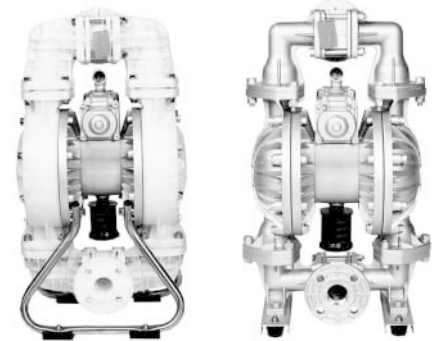
NDP-25 Series (1")

**UP TO 49 GPM IN POLYPROPYLENE,
KYNAR, ALUMINUM, CAST IRON & 316SS**



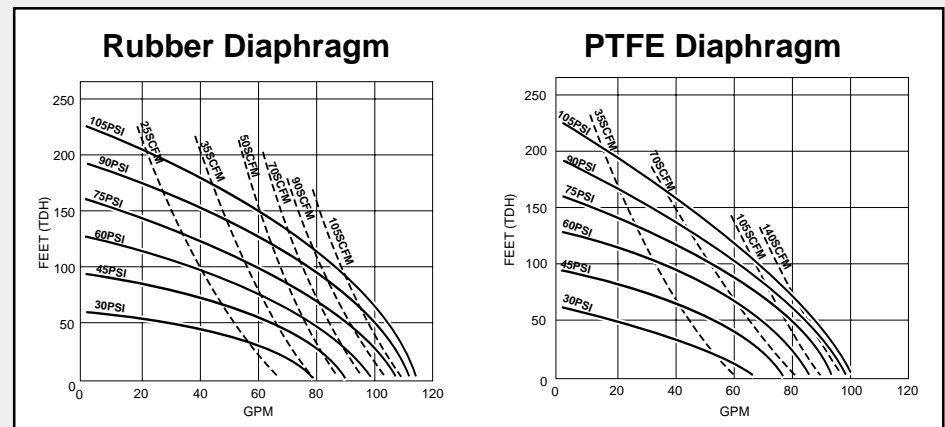
Diaphragm Materials: PTFE, Viton, EPDM, Santoprene, Hytrel, Buna & Neoprene

YAMADA



NDP-40 Series (1 1/2")

**UP TO 116 GPM IN POLYPROPYLENE,
ALUMINUM, CAST IRON & 316SS**



Diaphragm Materials: PTFE, Viton, EPDM, Santoprene, Hytrel, Buna & Neoprene

FOR ENGINEERING AND PUMP SELECTION ASSISTANCE CALL DEPCO AT 1-800-446-1656