

BRONZE FLEXIBLE IMPELLER PUMPS

UP TO 58 GPM, 1/2" – 1 1/4" PORTS, FOOT MOUNT

The bronze Oberdorfer pumps contain spaced ball bearings, mechanical seals, replaceable cams & wearplates, and an optional Neoprene or Nitrile (Buna-N) impeller. The 3/4", 1", & 1-1/4" sizes have cover o-rings, eliminating the need for a paper gasket.

Model Number	Port Size	GPM @ 1800RPM Open Flow	Drive Shaft
OB 201M	1/2"	6.0	1/2"
OB 301M	3/4"	12.0	5/8"
OB 401M-2	1"	25.0	5/8"
OB 501M-5	1-1/4"	58.0	1"

UP TO 19.5 GPM, 1/2" – 1" PORTS, FOOT MOUNT

The bronze Sherwood pumps each contain a ball bearing, carbon bushing, mechanical seal, replaceable cam, and optional Neoprene or Nitrile (Buna-N) impeller.

Model Number	Port Size	GPM @ 1800RPM Open Flow	Drive Shaft
SH R30G	1/2"	6.5	1/2"
SH R50G	3/4"	12	5/8"
SH R102	1"	19.5	5/8"

UP TO 83 GPM, 3/8" – 2" PORTS, FOOT MOUNT

The bronze Johnson pumps contain ball bearings, replaceable cams, and optional Neoprene or Nitrile (Buna-N) impellers. The 3/8" through 1" sizes have lip seals and the 1 1/4" through 2" sizes have mechanical seals and replaceable wearplates.

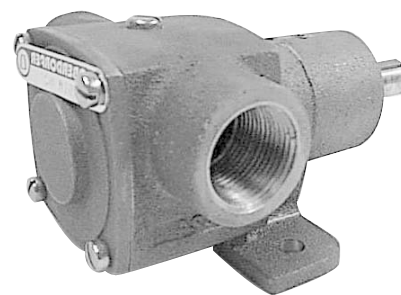
Model Number	Port Size	GPM @ 1800RPM Open Flow	Drive Shaft
JS 10-35038-4/SE	3/8"	4.0	3/8" / 12mm
JS 10-24074-7/1	3/8"	6.0	3/8" / 12mm
JS 10-24073-5	3/4"	12.0	5/8"
JS 10-24070-5	1"	26.0	5/8"
JS 10-13021-91/9	1-1/4" / 1 1/2"	62.0	1" / 24mm
JS 10-13026-10	2"	83.0	24mm

UP TO 21 GPM, 3/4" – 1" PORTS, FOOT MOUNT

The bronze Simer pumps utilize bronze bearings, lip seals, and optional Neoprene or "X" impeller material that is compatible with oils, diesel, and gasoline.

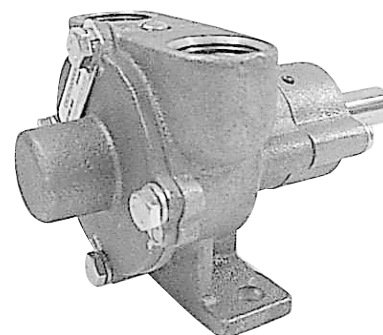
Model Number	Port Size	GPM @ 1800RPM Open Flow	Drive Shaft
SM BP20	3/4"	11.5	1/2"
SM BP20X	3/4"	11.5	1/2"
SM BP21	1"	21.0	5/8"
SM BP21X	1"	21.0	5/8"

OBERDORFER



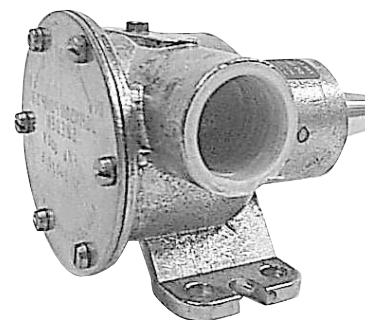
6 – 58 GPM, Bronze Series

SHERWOOD



6 – 19.5 GPM, Bronze Series

JOHNSON



6 – 83 GPM, Bronze Series

SIMER



11.5 – 21 GPM, Bronze Series