

BRONZE FLEXIBLE IMPELLER



1 1/4" & 2" PORTS, 10 – 83 GPM, 30 PSI, IN BRONZE (HEAVY DUTY BALL BEARING SERIES)

These pedestal mount double-race ball bearing pumps are well suited for direct or pulley drive applications. They come standard with a mechanical seal and have the choice of Neoprene or Nitrile flexible impeller.

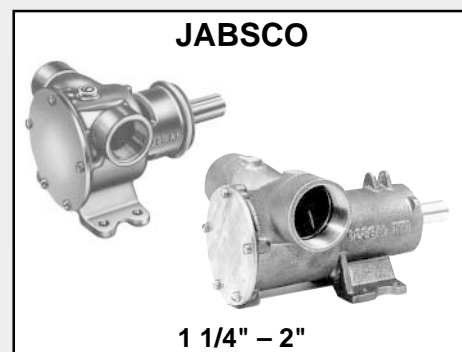
MODEL NUMBER	MAX GPM	PORT SIZE	SHAFT DIA.	OVERALL DIMENSIONS (H x W x L)
6400 Series	62	1 1/4"	1"	4 7/8" x 5 7/8" x 8 1/16"
18370 Series	83	2"	1"	5 1/8" x 8" x 10 7/8"

6400 Series (1 1/4" ports, half cam)

TOTAL HEAD		500 RPM		1160 RPM		1750 RPM	
PSI	FT.	GPM	HP	GPM	HP	GPM	HP
4.3	10	18	1/2	41	1	62	1 1/2
8.7	20	17	1/2	40	1	60	1 1/2
17.3	40	14	1/2	37	1 1/2	55	2
26.0	60	-	-	32	1 1/2	50	2
30.3	70	-	-	-	-	45	2

6400 Series (1 1/4" ports, full cam)

TOTAL HEAD		500 RPM		1160 RPM		1750 RPM	
PSI	FT.	GPM	HP	GPM	HP	GPM	HP
4.3	10	11	1/2	26	3/4	37	1 1/2
8.7	20	9.5	1/2	24	1	35	1 1/2
17.3	40	5.5	1/2	19	1	29	1 1/2
26.0	60	-	-	12	1 1/2	21	1 1/2



18370 Series (2" ports)

TOTAL HEAD		500 RPM		1160 RPM		1750 RPM	
PSI	FT.	GPM	HP	GPM	HP	GPM	HP
4.3	10	23	1/2	54	1	83	2
8.7	20	22	1/2	50	1	79	2
17.3	40	17	1/2	43	1 1/2	71	3
26.0	60	-	-	34	1 1/2	61	3
30.3	70	-	-	-	-	55	3

CLUTCH DRIVEN, 1 - 2" PORTS, 6 – 83 GPM, 30 PSI

These electric clutch driven pumps are available in 12, 24, or 32 vdc and are equipped with a 7" double groove pulley (1/2" belt). All sizes have a mechanical seal and the choice of Neoprene or Nitrile flexible impeller.

MODEL NUMBER	MAX GPM	PORT SIZE	PULLEY/ BELT DRIVE	OVERALL DIMENSIONS (H x W x L)
11860 Series	23	1"	7" / 1/2" (A belt)	5 3/8" x 4 3/4" x 6 3/16"
11870 Series	62	1 1/4"	7" / 1/2" (A belt)	6 1/16" x 5 7/8" x 8 3/16"
18330 Series	83	2"	7" / 1/2" (A belt)	5 1/8" x 8" x 11 1/8"



11860 Series (1" ports)

TOTAL HEAD		500 RPM		1160 RPM		1750 RPM	
PSI	FT.	GPM	HP	GPM	HP	GPM	HP
4.3	10	6.0	1/4	14.8	1/3	23.3	3/4
8.7	20	5.5	1/4	14.1	1/2	22.3	3/4
13.0	30	4.8	1/4	13.0	1/2	20.9	3/4
17.3	40	4.0	1/4	12.0	1/2	19.5	3/4
26.0	60	-	-	8.8	3/4	15.0	1

11870 Series (1 1/4" ports)

TOTAL HEAD		500 RPM		1160 RPM		1750 RPM	
PSI	FT.	GPM	HP	GPM	HP	GPM	HP
4.3	10	18	1/2	41	1	62	1 1/2
8.7	20	17	1/2	40	1	60	1 1/2
17.3	40	14	1/2	37	1 1/2	55	2
26.0	60	-	-	30	1 1/2	50	2
30.0	70	-	-	-	-	45	2

18330 Series (2" ports)

TOTAL HEAD		500 RPM		1160 RPM		1750 RPM	
PSI	FT.	GPM	HP	GPM	HP	GPM	HP
4.3	10	23	1/2	54	1	83	2
8.7	20	22	1/2	50	1	79	2
17.3	40	17	1/2	43	1 1/2	71	3
26.0	60	-	-	34	1 1/2	61	3
30.3	70	-	-	-	-	55	3

MANUAL CLUTCH, 1 – 2" PORTS, 6 – 83 GPM, 30 PSI

These manually actuated clutch pumps are available in 4 port sizes to meet your system's requirements. Their simple manual operation enables the use of a clutch when dependable DC current is not available. For specific flow/rpm specs use the 11860 chart above for the 51080 series, the 11870 chart for the 6590 and 51200 series, and the 18330 chart for the 51270 series.

MODEL NUMBER	MAX GPM	PORT SIZE	PULLEY/ BELT DRIVE	OVERALL DIMENSIONS (H x W x L)
51080-9013	26	1"	6" / 5/8" (B belt)	8 1/2" x 7 1/2" x 8 1/16"
*6590-0005	62	1 1/4"	6" / 5/8" (B belt)	8 1/2" x 8 5/8" x 8 1/16"
51200-9013	62	1 1/2"	7" / 5/8" (B belt)	9" x 6" x 9 1/8"
*51270-9013	83	2"	7" / 5/8" (B belt)	9" x 7" x 13 1/8"

