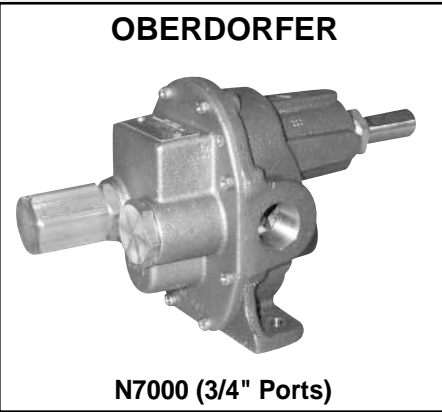


BRONZE PEDESTAL GEAR

UP TO 20 GPM, 100 PSI (150 PSI Intermittent)

- Temperatures to 400° F
- Bronze Housing
- Seal Options: standard or Teflon packing, Buna or Viton lip seal, Buna, Viton or Teflon mechanical seal
- Optional relief valve
- See Page 13, N970 series for Close-coupled version

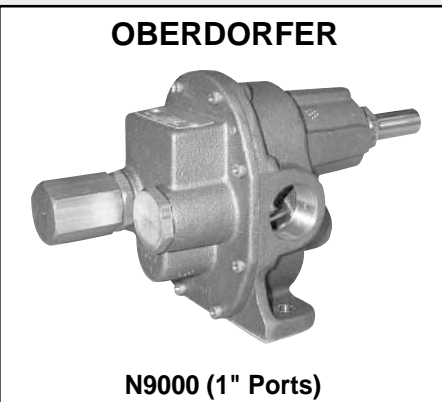
| R.P.M. | FT. HD. P.S.I. | 0 | 46 | 92 | 138 | 184 | 231 | 290 | 346 |
|--------|-------------------|-------|-------|-------|-------|-------|-------|-------|-------|
| | | 0 | 20 | 40 | 60 | 80 | 100 | 125* | 150* |
| 400 | GPM | 4.00 | 3.45 | 2.90 | 2.35 | 1.50 | 1.30 | 1.20 | 1.00 |
| | HP | 0.20 | 0.23 | 0.30 | 0.39 | 0.55 | 0.65 | 0.70 | 0.90 |
| 600 | GPM | 6.30 | 5.78 | 5.26 | 4.74 | 4.22 | 3.95 | 3.50 | 3.10 |
| | HP | 0.25 | 0.30 | 0.40 | 0.65 | 0.75 | 0.95 | 1.15 | 1.40 |
| 800 | GPM | 8.58 | 8.18 | 7.78 | 7.38 | 6.98 | 6.57 | 6.40 | 6.20 |
| | HP | 0.30 | 0.40 | 0.58 | 0.85 | 0.93 | 1.15 | 1.40 | 1.70 |
| 1000 | GPM | 10.90 | 10.51 | 10.12 | 9.72 | 9.33 | 8.93 | 8.00 | 7.90 |
| | HP | 0.40 | 0.60 | 0.70 | 0.90 | 1.10 | 1.38 | 1.60 | 1.92 |
| 1200 | GPM | 13.33 | 12.94 | 12.55 | 12.16 | 11.76 | 11.37 | 11.20 | 11.10 |
| | HP | 0.50 | 0.70 | 0.85 | 1.06 | 1.35 | 1.65 | 1.90 | 2.20 |
| 1600 | GPM | 18.17 | 17.79 | 17.41 | 17.03 | 16.65 | 16.28 | 16.10 | 16.00 |
| | HP | 0.70 | 0.91 | 1.20 | 1.50 | 1.80 | 2.14 | 2.50 | 2.90 |
| 1725 | GPM | 19.85 | 19.48 | 19.11 | 18.74 | 18.37 | 18.00 | 17.70 | 17.40 |
| | HP | 0.80 | 1.10 | 1.42 | 1.85 | 2.18 | 2.65 | 3.00 | 3.60 |



UP TO 23 GPM, 100 PSI (150 PSI Intermittent)

- Temperatures to 400° F
- Bronze Housing
- Seal Options: standard or Teflon packing, Buna or Viton lip seal, Buna, Viton or Teflon mechanical seal
- Optional relief valve
- See Page 13, N990 series for Close-coupled version

| R.P.M. | FT. HD. P.S.I. | 0 | 46 | 92 | 138 | 184 | 231 | 290 | 346 |
|--------|-------------------|-------|-------|-------|-------|-------|-------|-------|-------|
| | | 0 | 20 | 40 | 60 | 80 | 100 | 125* | 150* |
| 400 | GPM | 5.00 | 4.49 | 3.99 | 3.48 | 2.98 | 2.48 | 2.05 | 1.60 |
| | HP | 0.25 | 0.33 | 0.40 | 0.50 | 0.65 | 0.75 | 1.00 | 1.25 |
| 600 | GPM | 7.50 | 7.08 | 6.65 | 6.23 | 5.80 | 5.38 | 4.90 | 4.05 |
| | HP | 0.35 | 0.40 | 0.55 | 0.75 | 0.90 | 1.10 | 1.32 | 1.60 |
| 800 | GPM | 10.17 | 9.82 | 9.47 | 9.12 | 8.77 | 8.41 | 7.80 | 7.30 |
| | HP | 0.40 | 0.60 | 0.70 | 1.00 | 1.15 | 1.40 | 1.75 | 2.05 |
| 1000 | GPM | 13.00 | 12.65 | 12.30 | 11.94 | 11.58 | 11.22 | 10.40 | 9.90 |
| | HP | 0.50 | 0.70 | 0.90 | 1.20 | 1.45 | 1.72 | 2.10 | 2.50 |
| 1200 | GPM | 16.00 | 15.67 | 15.34 | 15.00 | 14.67 | 14.33 | 13.60 | 13.00 |
| | HP | 0.60 | 0.80 | 1.14 | 1.45 | 1.85 | 2.20 | 2.70 | 3.20 |
| 1600 | GPM | 21.50 | 21.12 | 20.74 | 20.35 | 19.97 | 19.58 | 18.70 | 18.00 |
| | HP | 0.80 | 1.70 | 1.38 | 1.70 | 2.03 | 2.41 | 2.90 | 3.40 |
| 1725 | GPM | 23.33 | 22.93 | 22.52 | 22.11 | 21.71 | 21.30 | 20.50 | 20.10 |
| | HP | 0.90 | 1.19 | 1.53 | 1.92 | 2.25 | 2.70 | 3.15 | 3.70 |



UP TO 61 GPM, 100 PSI (150 PSI Intermittent)

- Up to 900 rpm cont. duty
- Up to 1800 rpm int. duty
- Bronze Housing
- Seal Options: standard or Teflon packing, Buna or Viton lip seal, Buna or Viton mechanical seal
- See Page 13, N1100 series for Close-coupled version

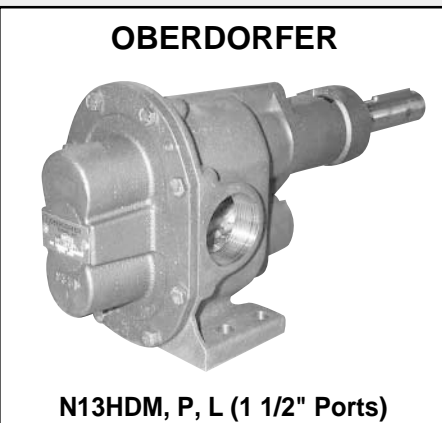
| R.P.M. | FT. HD. P.S.I. | 0 | 46 | 92 | 138 | 184 | 231 | 290 | 346 |
|--------|-------------------|-------|-------|-------|-------|-------|-------|-------|-------|
| | | 0 | 20 | 40 | 60 | 80 | 100 | 120 | 140 |
| 400 | GPM | 10.00 | 8.8 | 7.60 | 5.50 | 4.90 | 2.80 | 1.54 | - |
| | HP | 0.25 | 0.28 | 0.35 | 0.69 | 0.93 | 1.00 | 1.34 | - |
| 600 | GPM | 17.50 | 16.00 | 14.90 | 13.10 | 12.00 | 10.00 | 8.90 | 7.70 |
| | HP | 0.30 | 0.42 | 0.61 | 0.92 | 1.10 | 1.50 | 1.90 | 2.10 |
| 900 | GPM | 27.70 | 26.00 | 25.00 | 23.20 | 22.00 | 20.60 | 18.70 | 17.80 |
| | HP | 0.44 | 0.80 | 1.10 | 1.50 | 2.00 | 2.40 | 3.00 | 3.40 |
| 1200 | GPM | 39.00 | 37.00 | 35.30 | 34.10 | 33.00 | 31.00 | - | - |
| | HP | 0.82 | 1.10 | 1.80 | 2.10 | 2.90 | 3.40 | - | - |
| 1725 | GPM | 60.40 | 58.10 | 56.40 | 54.80 | 52.40 | 50.50 | - | - |
| | HP | 2.0 | 2.80 | 3.40 | 4.20 | 5.00 | 6.00 | - | - |



UP TO 88 GPM, 100 PSI (150 PSI Intermittent)

- Up to 900 rpm cont. duty
- Up to 1800 rpm int. duty
- Bronze Housing
- Seal Options: standard or Teflon packing, Buna or Viton lip seal, Buna or Viton mechanical seal

| R.P.M. | FT. HD. P.S.I. | 0 | 46 | 92 | 138 | 184 | 231 | 290 | 346 |
|--------|-------------------|-------|-------|-------|-------|-------|-------|-------|-------|
| | | 0 | 20 | 40 | 60 | 80 | 100 | 120 | 140 |
| 400 | GPM | 18.50 | 16.50 | 14.00 | 12.00 | 10.50 | 10.00 | 8.50 | 7.00 |
| | HP | 0.25 | 0.40 | 0.80 | 1.00 | 1.50 | 2.00 | 2.40 | 2.90 |
| 600 | GPM | 30.00 | 28.50 | 26.00 | 24.00 | 21.50 | 20.00 | 18.50 | 16.50 |
| | HP | 0.35 | 0.60 | 1.10 | 1.60 | 2.20 | 2.80 | 3.30 | 3.90 |
| 900 | GPM | 42.50 | 42.00 | 41.00 | 40.00 | 39.00 | 37.00 | 35.00 | 32.00 |
| | HP | 0.65 | 1.40 | 2.00 | 2.70 | 3.40 | 4.10 | 4.90 | 5.60 |
| 1200 | GPM | 60.00 | 59.50 | 58.00 | 57.00 | 55.50 | 55.00 | - | - |
| | HP | 1.20 | 2.00 | 2.90 | 3.90 | 4.80 | 5.70 | - | - |
| 1725 | GPM | 88.00 | 86.00 | 84.00 | 83.00 | 82.00 | 80.00 | - | - |
| | HP | 3.10 | 4.40 | 5.60 | 6.90 | 8.10 | 10.40 | - | - |



* Intermittent Duty