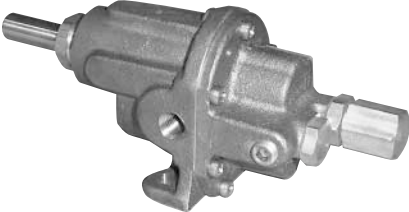


These Oberdorfer pedestal mount gear pumps will handle a wide variety of liquids including water (unusual for a gear pump), mild chemicals, diesel and lubricants. Their pedestal mount configuration enables custom long-coupled mounting on a variety of base materials with your desired drive. It also enables custom mounting within equipment, vehicles or machinery.

**OBERDORFER**



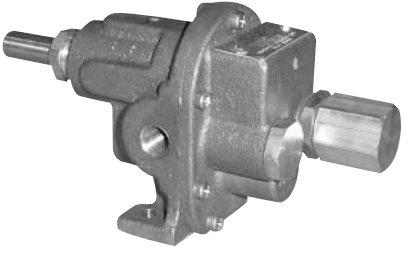
**N1000 (1/4" Ports)**

R.P.M.	FT. HD. P.S.I.	0	46	92	138	184	231	290	346
		0	20	40	60	80	100	125*	150*
400	GPM	0.50	0.30	0.10	-	-	-	-	-
	HP	0.01	0.03	0.04	-	-	-	-	-
600	GPM	0.80	0.62	0.44	0.27	0.10	-	-	-
	HP	0.02	0.04	0.06	0.08	0.10	-	-	-
800	GPM	1.03	0.87	0.72	0.56	0.40	0.24	0.10	-
	HP	0.02	0.04	0.07	0.10	0.12	0.15	0.18	-
1000	GPM	1.26	1.11	0.96	0.81	0.66	0.51	0.33	0.10
	HP	0.02	0.05	0.09	0.12	0.15	0.19	0.24	0.28
1200	GPM	1.50	1.35	1.20	1.05	0.90	0.75	0.60	0.45
	HP	0.03	0.05	0.12	0.14	0.17	0.21	0.26	0.29
1600	GPM	1.95	1.83	1.70	1.57	1.45	1.32	1.15	0.95
	HP	0.04	0.08	0.13	0.18	0.22	0.27	0.33	0.38
1725	GPM	2.10	1.98	1.86	1.74	1.62	1.50	1.35	1.20
	HP	0.05	0.09	0.14	0.19	0.23	0.28	0.34	0.39

**UP TO 2 GPM, 100 PSI  
(150 PSI Intermittent)**

- Temperatures to 400° F
- Bronze housing
- Seal Options: standard or Teflon Packing, Buna or Viton lip seal, Buna, Viton or Teflon mechanical seal
- Optional relief valve
- See Page 12, N991 series for Close-coupled version

**OBERDORFER**



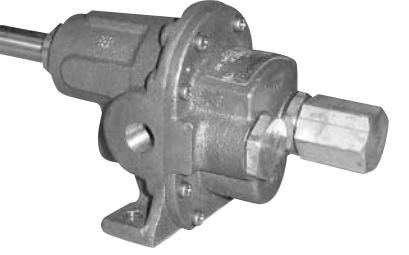
**N2000 (1/4" Ports)**

R.P.M.	FT. HD. P.S.I.	0	46	92	138	184	231	290	346
		0	20	40	60	80	100	125*	150*
400	GPM	0.97	0.69	0.40	0.10	-	-	-	-
	HP	0.02	0.04	0.08	0.10	-	-	-	-
600	GPM	1.50	1.30	1.09	0.88	0.68	0.47	0.21	-
	HP	0.03	0.05	0.09	0.13	0.18	0.24	0.26	-
800	GPM	2.03	1.82	1.62	1.41	1.21	1.00	0.65	0.30
	HP	0.04	0.07	0.11	0.15	0.22	0.29	0.36	0.45
1000	GPM	2.50	2.30	2.10	1.90	1.70	1.50	1.00	0.50
	HP	0.04	0.08	0.13	0.18	0.24	0.32	0.45	0.55
1200	GPM	2.92	2.72	2.52	2.31	2.10	1.90	1.50	1.00
	HP	0.05	0.09	0.16	0.22	0.28	0.36	0.48	0.58
1600	GPM	3.75	3.55	3.35	3.15	2.95	2.75	2.45	2.20
	HP	0.06	0.11	0.18	0.25	0.33	0.41	0.53	0.65
1725	GPM	4.07	3.86	3.65	3.44	3.23	3.03	2.80	2.50
	HP	0.10	0.14	0.20	0.29	0.37	0.43	0.56	0.68

**UP TO 4 GPM, 100 PSI  
(150 PSI Intermittent)**

- Temperatures to 400° F
- Bronze housing
- Seal Options: standard or Teflon Packing, Buna or Viton lip seal, Buna, Viton or Teflon mechanical seal
- Optional relief valve
- See Page 12, N992 series for Close-coupled version

**OBERDORFER**



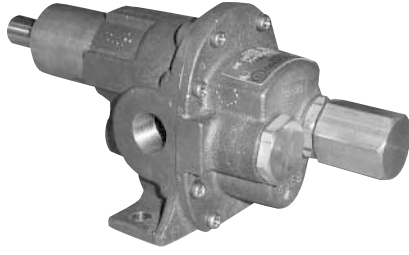
**N3000 (3/8" Ports)**

R.P.M.	FT. HD. P.S.I.	0	46	92	138	184	231	290	346
		0	20	40	60	80	100	125*	150*
400	GPM	1.50	1.05	0.70	0.40	0.20	0.10	-	-
	HP	0.05	0.08	0.13	0.15	0.20	0.24	-	-
600	GPM	2.38	2.14	1.89	1.64	1.39	1.15	0.70	0.32
	HP	0.06	0.10	0.17	0.20	0.28	0.35	0.44	0.53
800	GPM	3.17	2.90	2.64	2.37	2.11	1.85	1.70	1.30
	HP	0.08	0.17	0.23	0.20	0.40	0.48	0.54	0.65
1000	GPM	4.00	3.74	3.48	3.22	2.96	2.71	2.40	2.15
	HP	0.10	0.18	0.27	0.38	0.43	0.55	0.67	0.80
1200	GPM	4.85	4.60	4.35	4.10	3.84	3.58	3.50	3.20
	HP	0.15	0.25	0.33	0.45	0.55	0.68	0.85	1.00
1600	GPM	6.67	6.42	6.16	5.90	5.64	5.38	5.25	5.00
	HP	0.20	0.30	0.45	0.58	0.60	0.85	1.05	1.25
1725	GPM	7.25	7.00	6.75	6.50	6.25	6.00	5.75	5.50
	HP	0.38	0.50	0.65	0.80	0.95	1.10	1.25	1.40

**UP TO 7 GPM, 100 PSI  
(150 PSI Intermittent)**

- Temperatures to 400° F
- Bronze housing
- Seal Options: standard or Teflon packing, Buna or Viton lip seal, Buna, Viton or Teflon mechanical seal
- Optional relief valve
- See Page 12, N993 series for Close-coupled version

**OBERDORFER**



**N4000 (1/2" Ports)**

R.P.M.	FT. HD. P.S.I.	0	46	92	138	184	231	290	346
		0	20	40	60	80	100	125*	150*
400	GPM	2.30	2.00	1.75	1.55	1.30	1.10	0.85	0.65
	HP	0.10	0.15	0.20	0.25	0.32	0.40	0.53	0.70
600	GPM	3.45	3.20	2.95	2.75	2.50	2.30	2.07	2.14
	HP	0.15	0.20	0.25	0.35	0.40	0.60	0.75	0.94
800	GPM	4.65	4.18	4.10	3.90	3.70	3.50	3.25	3.05
	HP	0.20	0.22	0.29	0.45	0.64	0.86	1.20	1.60
1000	GPM	5.86	5.65	5.40	5.18	4.95	4.76	4.50	4.30
	HP	0.22	0.25	0.30	0.45	0.65	0.75	1.20	1.50
1200	GPM	7.10	6.85	6.60	6.35	6.12	5.90	5.68	5.45
	HP	0.25	0.30	0.40	0.60	0.75	0.97	1.30	1.70
1600	GPM	9.70	9.45	9.20	8.95	8.72	8.50	8.30	8.10
	HP	0.30	0.39	0.60	0.80	1.05	1.30	1.64	2.05
1725	GPM	10.56	10.33	10.10	9.85	9.63	9.42	9.20	9.00
	HP	0.50	0.75	0.90	1.20	1.50	1.75	2.00	2.32

**UP TO 10.5 GPM, 100 PSI  
(150 PSI Intermittent)**

- Temperatures to 400° F
- Bronze housing
- Seal Options: standard or Teflon Packing, Buna or Viton lip seal, Buna, Viton or Teflon mechanical seal
- Optional relief valve
- See Page 13, N994 series for Close-coupled version

\* Intermittent Duty