

# GROCO 4", 5" AND 6" STRAINERS

CONTENTS

ENGINE COOLING

INDEX

HOME

NEXT

BACK

## GROCO



SE with NPT Threaded Ports

## SE SERIES

### Application:

For high power engines with 4" or larger raw water intake which require high flow rates and low restriction.

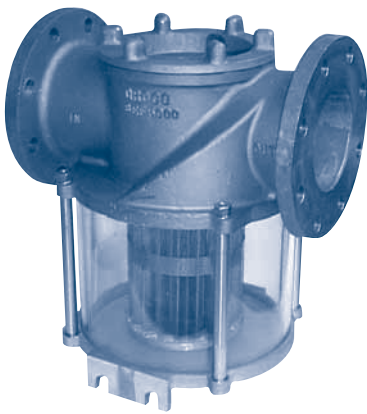
### Features:

- No inside tie rod
- O-Ring seals
- Bronze castings
- Choice of Lucite sight glass or bronze sleeve
- Spin-off cover for easy filter basket access

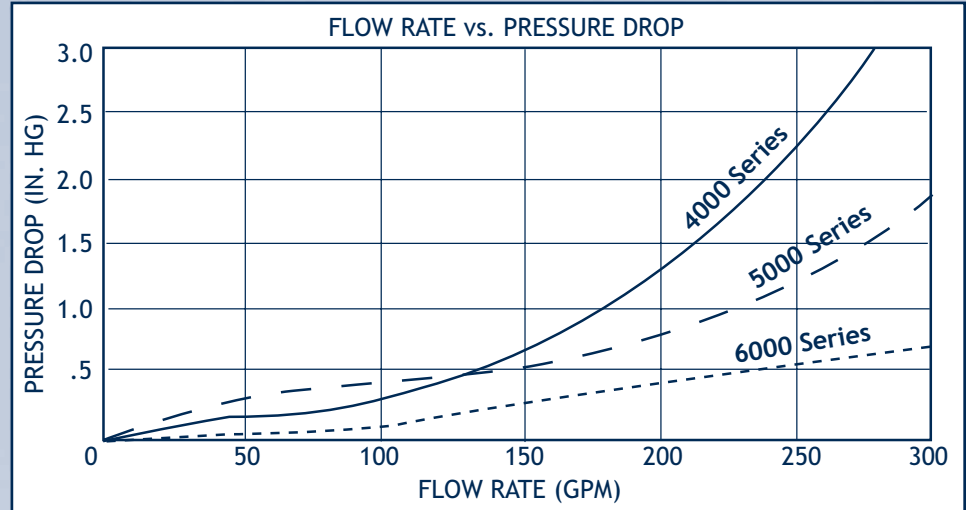
### Note:

- Dotted lines apply to SEF Models only.
- "A" for SE Models refers to the top of the cap.
- "A" for SEF Models refers to the top of the flange.
- "Ratio" means open screen area to pipe ratio with standard basket.
- Standard basket .007" diameter holes. (.125" and .188" holes are optional)

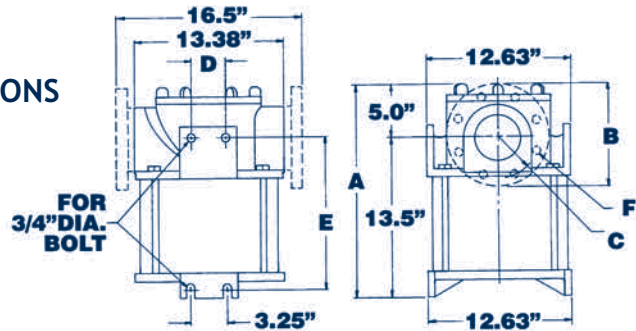
## GROCO



SEF with Flanged Ports



## DIMENSIONS AND SPECIFICATIONS



## GROCO



ASEF with Flanged Ports and Bronze Enclosure

MODEL	PLUMBING	DRY WEIGHT (LBS.)	RATIO	(INCHES)					
				A	B	C	D	E	F
SE-4000	4" NPT	97	10:1	18.5	-	-	3.00	13.25	-
ASE-4000	4" NPT	121							
SEF-4000	4" Flange	118	10:1	18.5	9.00	7.5	-	-	5/8" bolts
ASEF-4000	4" Flange	142							
SEF-5000	5" Flange	134	8.05:1	19.0	10.0	8.5	-	-	3/4" bolts
ASEF-5000	5" Flange	158							
SEF-6000	6" Flange	147	6.7:1	19.5	11.0	9.5	-	-	3/4" bolts
ASEF-6000	6" Flange	171							