

WASHDOWN AND LIVEWELL

- CONTENTS
- ENGINE COOLING
- INDEX
- HOME
- NEXT
- BACK

JABSCO



Washdown / Livewell

4.3 GPM, 50 PSI JABSCO WASHDOWN/LIVEWELL PUMPS

The Jabsco 31700 series washdown pumps deliver an impressive 50 psi and up to 4.3 gpm. Its heavy duty low amperage motor with special waterproof coating and sealed pressure switch offer maximum corrosion protection in harsh environment installations. This series is also suitable for dual washdown/baitwell duty. See page 154 for service parts.

| Model Number | Max GPM | Volts | Amps at: | | Inlet / Outlet | Dimensions (H x W x L) |
|---------------|---------|--------|----------|--------|------------------------|---------------------------|
| | | | 10 PSI | 40 PSI | | |
| JA 31700-0092 | 4.3 | 12 vdc | 6.0 | 10.0 | 3/4" Barb and 3/4" GHT | 4 1/16" x 4 1/8" x 9 3/8" |
| JA 31700-0094 | 4.3 | 24 vdc | 3.0 | 5.0 | 3/4" Barb and 3/4" GHT | 4 1/16" x 4 1/8" x 9 3/8" |
| JA 31605-0092 | 3.5 | 12 vdc | 5.0 | 10 | 3/4" Barb and 3/4" GHT | 4 1/16" x 4 1/8" x 8 5/8" |
| JA 31605-0094 | 3.5 | 24 vdc | 2.5 | 5 | 3/4" Barb and 3/4" GHT | 4 1/16" x 4 1/8" x 8 5/8" |

FLOJET



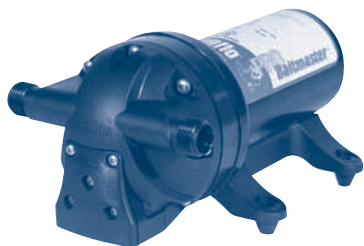
Washdown

3.5 - 4.5 GPM, 40 PSI FLOJET WASHDOWN PUMPS

The Flojet automatic high velocity deck and anchor washdown pump will deliver up to 4.5 gpm and 40 psi. Models with the "L" suffix include a state of the art washdown nozzle with swivel disconnect check valve. See page 155 for service parts.

| Model Number | Max GPM | Volts | Amps at 10 PSI | Inlet / Outlet | Includes Nozzle | Dimensions (H x W x L) |
|---------------|---------|--------|----------------|------------------------|-----------------|------------------------|
| FJ 04325-143 | 4.5 | 12 vdc | 6.0 | 3/4" Barb and 3/4" GHT | No | 3.9" x 4.2" x 10.1" |
| FJ 04325-143L | 4.5 | 12 vdc | 6.0 | 3/4" Barb and 3/4" GHT | Yes | 3.9" x 4.2" x 10.1" |
| FJ 04325-343 | 4.5 | 24 vdc | 3.0 | 3/4" Barb and 3/4" GHT | No | 3.9" x 4.2" x 10.1" |
| FJ 04325-443 | 4.5 | 32 vdc | 2.0 | 3/4" Barb and 3/4" GHT | No | 3.75" x 6.3" x 9.9" |
| FJ 04305-144 | 3.5 | 12 vdc | 5.0 | 3/4" Barb and 3/4" GHT | No | 3.75" x 6.3" x 8.6" |
| FJ 04305-144L | 3.5 | 12 vdc | 5.0 | 3/4" Barb and 3/4" GHT | Yes | 3.75" x 6.3" x 8.6" |

SHURFLO



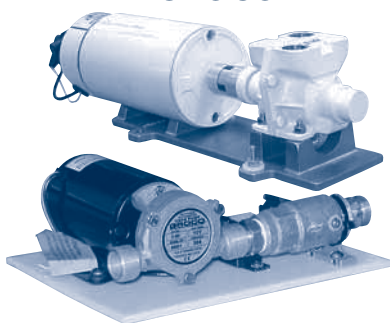
Pro Baitmaster

4.0 GPM, 45 PSI SHURFLO WASHDOWN/LIVEWELL PUMPS

The Shurflo "Pro Baitmaster" is excellent for livewell or washdown applications in harsh marine environments. Its seamless motor shell and sealed demand switch protect the pump from splashed liquids. It is self-priming, continuous duty and can run dry without damage. See page 158 for service parts.

| Model Number | Max GPM | Volts | Max Amps | Max PSI | Inlet/Outlet | Dimensions (H x W x L) |
|--------------|---------|--------|----------|---------|------------------------|------------------------|
| SF 4901-6212 | 4.0 | 12 vdc | 9.0 | 45 | 1/2" FPT and 3/4" Barb | 5.0" x 5.5" x 9.25" |
| SF 4901-7212 | 4.0 | 24 vdc | 4.5 | 45 | 1/2" FPT and 3/4" Barb | 5.0" x 5.5" x 9.25" |

GROCO



Washdown

7 - 11 GPM, 50 PSI GROCO WASHDOWN PUMPS

The Groco C-60 series utilizes the dependable vane principle to deliver a smooth, high-pressure flow of salt or fresh water. Each pump comes with a 35 psi waterproof pressure switch, check valve, and washdown nozzle. The Groco P/RW and PSRW washdown pumps take advantage of the high-pressure lobe design of the popular Paragon water system pump series to deliver up to 11 gpm and up to 50 psi. This series is typically controlled with a foot or panel switch. It does not come with a demand pressure switch. (Use the Paragon series on page 16 for applications where a pressure switch is desired.) See page 164 and 165 for service parts.

| Model Number | Max GPM | Volts | Max PSI | Breaker Size | Inlet | Outlet | Dimensions (H x W x L) |
|--------------|---------|--------|---------|--------------|----------------------|----------|------------------------|
| GC C-60 12V | 7.5 | 12 vdc | 35 | 30 Amps | 1/2" FPT or 3/4" GHT | 3/4" FPT | 3.5" x 9.5" x 8.25" |
| GC C-60 24V | 7.5 | 24 vdc | 35 | 20 Amps | 1/2" FPT or 3/4" GHT | 3/4" FPT | 3.5" x 9.5" x 8.25" |
| GC P/RW 12V | 7.0 | 12 vdc | 50 | 30 Amps | 3/4" FPT | 3/4" FPT | 4.5" x 8.25" x 8.25" |
| GC PSRW 12V | 11 | 12 vdc | 50 | 50 Amps | 3/4" FPT | 3/4" FPT | 8.25" x 5.5" x 20.5" |