

# FLOODED SUCTION CENTRIFUGALS

CONTENTS

## UP TO 35 GPM, 100' TDH

- Enclosed impeller
- Nickel aluminum bronze or 316SS construction
- Seal Options: multiple Type 21 and Type 9 mechanical seals
- Drive Options: pedestal mount, single and three phase, ODP, TEFC, explosion proof and custom configurations

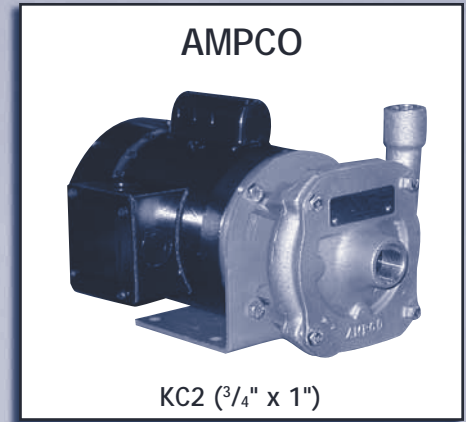
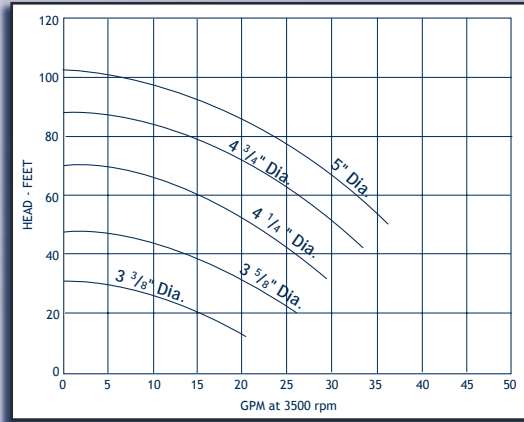
ENGINE COOLING

INDEX

HOME

NEXT

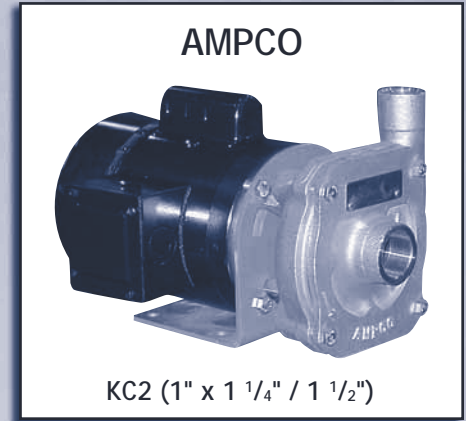
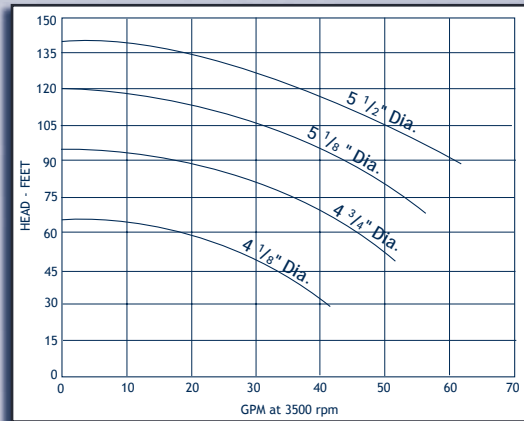
BACK



## UP TO 62 GPM, 140' TDH

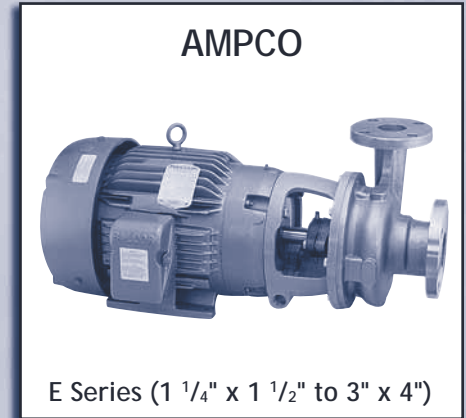
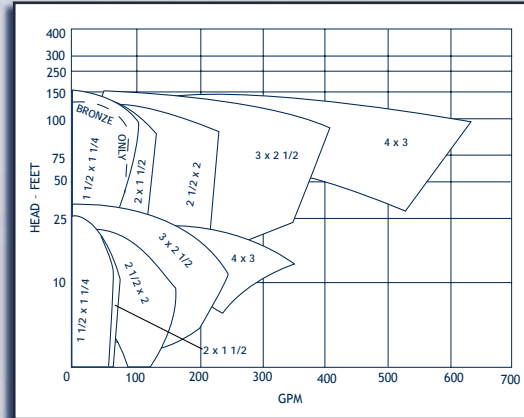
- Enclosed impeller
- Nickel aluminum bronze or 316SS construction
- Seal Options: multiple Type 21 and Type 9 mechanical seals
- Drive Options: pedestal mount, single and three phase, ODP, TEFC, explosion proof and custom configurations

Performance curve displays flow for 1 1/2" x 1" ports, call for performance on 1 1/4" x 1" ports.



## UP TO 600 GPM, 200' TDH

- Enclosed impeller
- Nickel aluminum bronze or 316SS construction
- Seal Options: multiple single and double Type 21, Type 9, cartridge seals and packing seals
- Drive Options: pedestal mount, single and three phase, ODP, TEFC, explosion proof and custom configurations



## UP TO 1600 GPM, 375' TDH

- Enclosed impeller
- Nickel aluminum bronze or 316SS construction
- Seal Options: multiple Type 21, Type 9, and Type 1 mechanical seals
- Drive Options: pedestal mount, single and three phase, ODP, TEFC, explosion proof and custom configurations

