

CONTENTS

GROCO CP20 SERIES

ENGINE COOLING

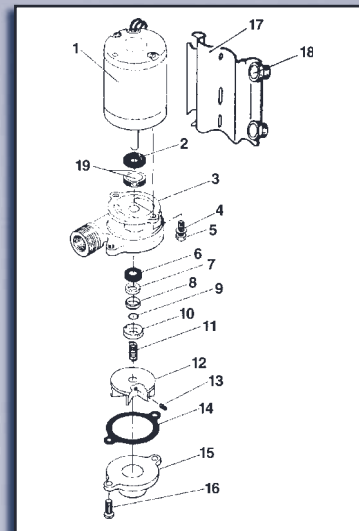
INDEX

HOME

NEXT

BACK

Item	CP-20	CP-20-S	Part Name	Part Number	Qty.
1	(Voltage) B	(Voltage) B	Motor		1
2	SP-95	-	Slinger		1
3	CP-20-A	CP-20-S	Body Casting		1
4	10ETS	10ETS	Washer		2
5	1032X12HS	1032X12HS	Bolt		2
6-11	69026	69026	Seal Assembly		1
12	CP-55	CP-55	Impeller		1
13	14X14SET	14X14SET	Set Screw		1
14	CP-56	CP-56	Cover Gasket		1
15	CP-58-H	CP-58-H	Cover Casting		1
16	1420X34HB	1420X34HB	Screws		1
17	B-200	-	Base		1
18	B-200-G	-	Grommet		4
19	031-075-8	-	Seal		1
	-	-	Cover		1
	-	-	Switch		1
	-	-	Screw		1
	-	SBP-204	Motor Boot		1
	-	GS-4-SS	Clamp		1
	-	HS-52-SS	Clamp		1
		P-2	• Repair Kit		



JABSCO BREAKDOWNS FOR 18825 / 18830 / 18840 / 18930 / 18940

Key	Description	Part No.	Qty.
1	Impeller		
	18825-0010	17937-0001	1
	18830, 18840 Series	1210-0001	1
	18830-1020	3085-0001	1
	18840-1010	3085-0001	1
	18930, 18940 Series	11979-0001	1
2	Impeller Housing		
	18825-0010	18826-0001	1
	18830, 18840 Series	18834-1000	1
	18930, 18940 Series	18944-1000	1
3	Bearing Housing		
	18830, 18930 Series	18833-1000	1
	18825, 18840, 18940 Series	18943-1000	1
4	Shaft		
	18825-0010	18827-1000	1
	All Other 1" & 1 1/4" Models	18836-1000	1
5	Pulley	18753-0006	1
6	Cam		
	18825-0010	18829-1000	1
	18830, 18840 Series	490-0001	1
	18930, 18940 Series	10182-0000	1
7	O-ring	18753-0005	1
8	Seal	96080-0080	1
9	Ball Bearings	92600-0120	2
10	Retaining Ring	See Hdw. Kit	1
11	Roll Pin	See Hdw. Kit	1
12	Cam Screw		
	18830, 18840 Series	91003-0010	1
	18825, 18930, 18940 Series	91004-0090	1
13	Screw Kit (3 ea. w/Washers)	18753-0001	1
16	Key	See Hdw. Kit	1
17	Pulley Adaptor	18835-1000	1
	Hdw. Kit	18753-0010	1

With Pulley Adaptor

18830-0000 (1" Ports)

18930-0000 (1 1/4" Ports)

With Pulley

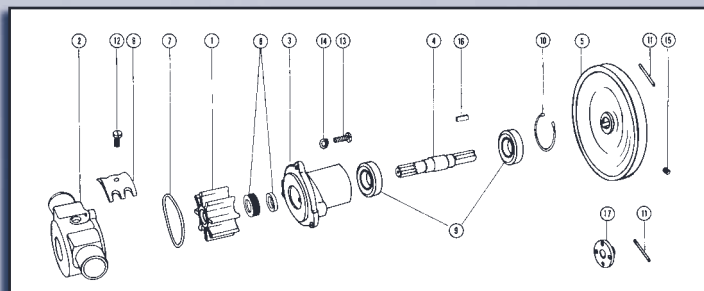
18830-0010 (1" Ports)

18930-0010 (1 1/4" Ports)

With Keyed Shaft

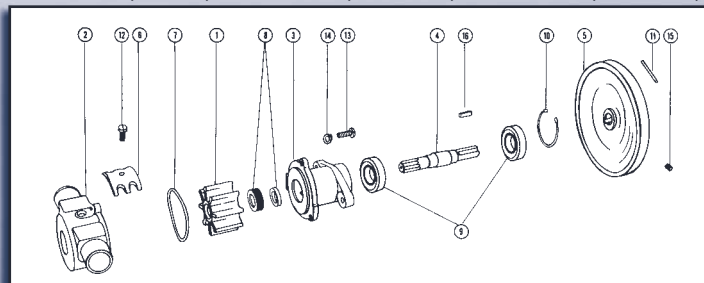
18830-1020 (1" Ports)

18930-0020 (1 1/4" Ports)



With Pulley

18840-0010 (1" Ports), 18940-0010 (1 1/4" Ports), 18825-0010 (1 1/2" Ports)



"NEOVANE" PUMP REPAIR KITS

No need to throw away your "Neovane" pump once the impeller wears and pumping efficiency decreases. Just use one of these repair kits to renew your pump to like-new condition. Kits include new impeller, shear pin and gasket.

Repair Kit Item No.	For Pump "Neovane" No.
NV 1018	V-505, V-755-H-500, V-750
NV 1017	V-105

