

# GROCO MANUAL AND ELECTRIC TOILETS

## HF, HE and HC Toilet



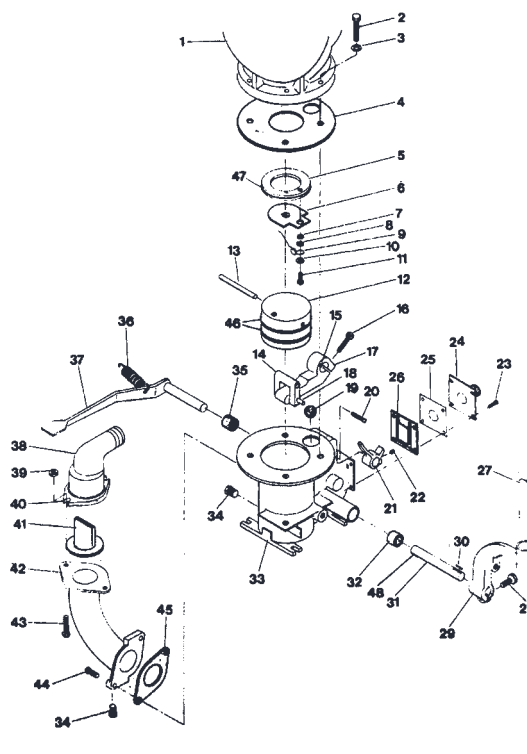
### PARTS and ASSEMBLY

The evolution of the HC toilet to models HE and HF has necessitated that some parts be changed, added, or eliminated. The exploded view drawing represents the current model HF configuration, but will serve as a parts listing and assembly guide for HC and HE models as well. To select the proper replacement part number, simply read down beneath the toilet model you have; if no part number appears, move to the first part number shown to the left.

C	U	R	M	P	Item	Name	HF Part No.	HE Part No.	HC Part No.	Comments
				*	1	Knob (use T-Handle)				
				*	2	T-Handle	HT-1085			Optional
				*	3	Washer	HC-12			
		*	*	*	4	Seal	037-075-8			
		*	*	*	5	Cylinder	HF-C		HC-C	
		*	*	*	6	Cam Assembly	HF-20		HC-20	
		*	*	*	7	Screw	1420X114RS			
		*	*	*	8	Screw	1420X34RB			Was not original equipment on HC, HE and early HF
		*	*	*	9	Bridge	HF-28			
		*	*	*	10	Check Plate	HC-5			
		*	*	*	11	Gasket	HF-1		HC-1	
		*	*	*	12	Cover	HC-2-A			
		*	*	*	13	Screw	1024X58HS			
		*	*	*	14	Elbow, 90° Discharge	HA-1			Optional
		*	*	*	15	Straight Discharge	HA-13			
		*	*	*	16	Bracket	HA-11			
		*	*	*	17	Hex Nut	1420HS			
		*	*	*	18	Joker Valve	H-27A			Replaces 7 1/2" Shaft HF-10 works best but requires HF-21 shaft w/HC and HE models.
		*	*	*	19	Shaft	HF-21			
		*	*	*	20	Piston Ring Assembly	HF-10		HC-10	
		*	*	*	21	Gasket	HE-8		HA-8	
		*	*	*	22	Base, Bronze	HF-22-B		HC-22-B	
		*	*	*	23	Drain Plug	1827HB			
		*	*	*	24	Gasket	H-6			
		*	*	*	25	Washer	16-S			
		*	*	*	26	Bolts	1420X2HB			
		*	*	*	27	Spring	HF-26			
					Not Shown	Joker Bowl	4967		HT-49-A	
					Not Shown	Seat and Cover	TC-50			
					Not Shown	Bowl Spud	ZS-1			
					Not Shown	Water Hose	HC-23			
					Not Shown	Bowl Elbow	H-7			
					Not Shown	Adaptor Kit	HCHF			Adapts HC-C to HF base

C = Cam Kit U = Upgrade Kit R = Regular Service Kit M = Master Service Kit P = Pump

## K-H TOILET (Manual and Electric)



- Included in K Regular Kit
- K Pump Assembly consists of Items 5-47

R	Item	Part Number	Description	Qty.
	1	4978	Bowl, Marine size (no longer available)	1
		4985	Bowl, House size (Requires 500-D Seat & Cover)	
	2	51618X2HB	Bolt	4
	3	20-LP	Washer	4
*	4	HT-52-A	Bowl Gasket	1
	5	K-4	Bowl Flap Plate	1
*	6, 7	HT-26-A	Gasket Assembly	1
*	8-11	HT-84-A	Spring Assembly	1
	12-18	K-32	Piston Assy. w/Crank	1
		K-3	Piston & Rings (Before S/N 0892)	1
	12	K-92	Piston & Rings (After S/N 0892)	
	13	K-3-P	Piston Pin	1
	14-18	K-2	Crank Assembly	1
*	19	HT-56	Check Ball	1
	20	1024X1RB	Screw	1
	21, 22	K-1	Cam & Set Screw	1
	23	1024X12HB	Screw	4
	24	HT-3556	Inlet	1
*	25	HT-3557-A	Gasket	1
*	26	HT-3557	Gasket	1
	27	HT-3560-C	Handle	1
	28	51618X1HB	Bolt	1
	29	HT-3560-D	Arm	1
	30	#8 Key	Woodruff Key	1
	30, 31	HT-6566-K	Pump Shaft & Keys	1
*	30, 48	KS	Key Set	1
	32	WS-2422	Seal	1
	33	K-A	Pump Casting	1
	34	1827HB	Drain Plug	1
*	35	HT-3564	Seal	1
	36	S-72587	Spring	1
	37	HT-3570-A	Pedal	1
	38	HA-1	Discharge	1
	39	1420HB	Hex Nut	2
	40	HA-11	Bracket	1
*	41	H-27-A	Joker Valve	1
	42	K-8	Discharge	1
	43	1420X114RB	Screw	2
	44	1420X34RB	Screw	2
*	45	K-7-A	Gasket	1
*	46	K-3-R	Piston Rings Only	2
*	47	2-041	O-Ring (After 05/89)	1
	48	1/8 Square Key	Key	1
	Not Shown	500-D	Seat & Cover for 4985	1