

PAR REPLACEMENT PARTS

CONTENTS

36900 AND 36800 SERIES

ENGINE COOLING

INDEX

HOME

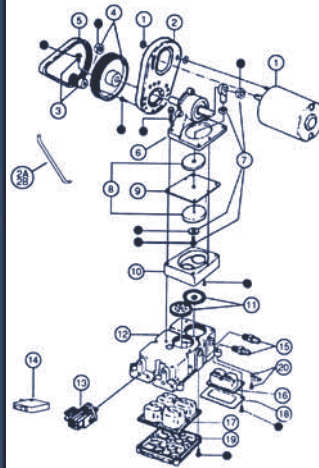
NEXT

BACK

Description	Key	36900 Series		36800 Series	
		Part Number	Qty	Part Number	Qty
Motor Kit	12 Volt D.C.	30200-0000	1	30200-0000	1
	24 Volt D.C.	30200-0010		30200-0010	
	32 Volt D.C.	30200-0020		30200-0020	
Motor Mount	2	34628-0000	1	34628-0000	
Small Pulley	3	37169-0000	1	37169-0000	1
Large Pulley (w/key)	4	37170-0001	1	37170-0001	1
Belt	5	30021-0000	1	30021-0000	1
Jack Shaft Assembly	6	35690-0001	1	35506-0001	1
Connecting Rod Assembly	7	37173-0001	1	37173-0001	1
Old Style w/Allen Screw Drive		37173-0000		37173-0000	
Diaphragm Plate	8	35212-0000	2	35503-0000	2
Diaphragm	9	30016-0000	1	30015-0000	1
Retainer	10	35173-0000	1	35497-0000	1
Valve Set (Inlet & Outlet)	11	30004-0000	1 set	30004-0000	1 set
Base Assembly (See † Below)	12	35625-1100	1	35625-1100	1
*Pressure Switch	13	37121-0010	1	37121-0010	1
		37121-0000	See Note	37121-0000	See Note
Microswitch (only)		18753-0141		18753-0141	
Ports (Inlet & Outlet) Barb**	15	37176-0000	1 set	37176-0000	1 set
Small Pulsation Dampener	16	37177-0000	1	37177-0000	1
Pulsation Dampener	17	37178-0000	1	37178-0000	1
Small Bottom Plate	18	35628-0000	1	35628-0000	1
Bottom Plate	19	35623-0000	1	35623-0000	1
Vibration Pad Kit	20	37180-0000	1 set	37180-0000	1 set
Hardware Kit	21	37165-0001	1 set	37165-0001	1 set
Service Kit		30121-0000		30122-0000	

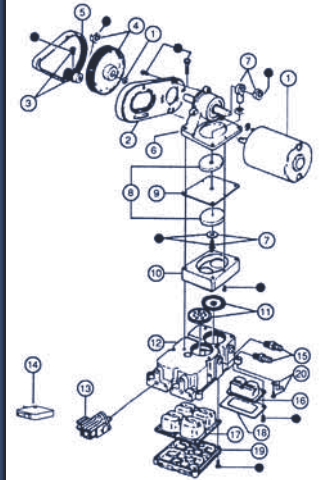
NOTE: 44814-1000 (20 PSI Pressure Switch)
 • Indicates parts contained in service kits.

36900-SERIES (Was 6900 J)



• Indicates items included in Hardware Kit (Key 21).

36800-SERIES (Was 6800 J)

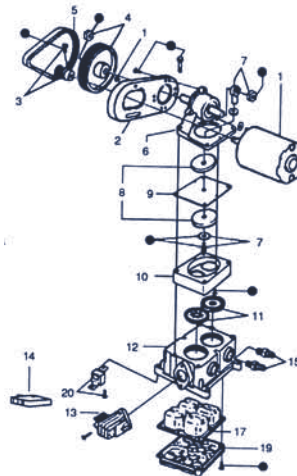


• Indicates items included in Hardware Kit (Key 21).

36950-36970 SERIES

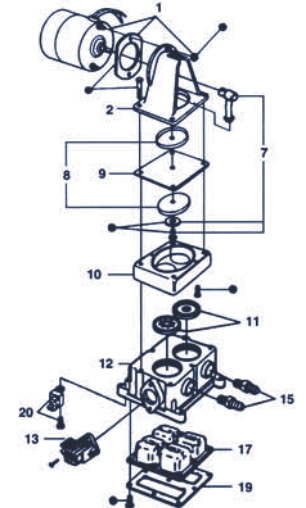
Description	Key	36950 Series			36970 Series		
		Part Number	Qty	Series (1000) (2000)	Part Number	Qty	Series (1000) (2000)
Motor Kit	12 Volt D.C.	30200-0000	1	X X	30201-0000	1	X X
	24 Volt D.C.	30200-0010		X X	30201-0010		X X
	32 Volt D.C.	30200-0020		X X	30202-0020		X X
Motor Mount	2	34628-0000	1	X X	35452-0000	1	X X
Small Pulley	3	37169-0000	1	X X			
Large Pulley (No Keyway)	4	37171-0000	1	X X			
Large Pulley (w/Keyway)	4	37171-0001	1	X X			
Belt	5	30022-0000	1	X X			
Jack Shaft Assembly	6	35689-0001	1	X X			
Connecting Rod Assembly	7	37173-0001	1	X X	30033-0000	1	X X
Old Style w/Allen Screw Drive		37173-0000		X X			
Diaphragm Plate	8	35503-0000	2	X X	35479-0000	1	X X
Diaphragm	9	30015-0000	1	X X	30015-0000	1	X X
Retainer	10	35497-0000	1	X X	35454-0000	1	X X
Valve Set (Inlet & Outlet)	11	30004-0000	1 set	X X	30004-0000	1 set	X X
Base Assembly †	12	35620-1100	1	X	35620-1100	1	X X
		44114-1100	1	X	44114-1100	1	X
Pressure Switch	13	37121-0010	1	X X	37121-0010	1	X
		37121-0000		See Note	37121-0000		See Note
Microswitch (only)		18753-0141		X X	18753-0141		X X
Ports (Inlet & Outlet) Barb**	15	37176-0000	1 set	X X	37176-0000	1 set	X X
Small Pulsation Dampener	16			X X			X X
Pulsation Dampener	17	37178-0000	1	X	37178-0000	1	X
		44127-1000	1	X	44127-1000	1	X
Small Bottom Plate	18			X X			X X
Bottom Plate	19	35686-0000	1	X X	35686-0000	1	X X
Vibration Pad Kit	20	37180-0000	1 set	X	37180-0000	1 set	X
		43990-0058	1 set	X	43990-0058	1 set	X
Hardware Kit	21	43990-0071	1 set	X	37167-0000	1 set	X
		43990-0059	1 set	X	43990-0059	1 set	X
Service Kit		30126-0000		X	30123-0000		X
		43990-0061		X	43990-0064		X

36950-SERIES (Was 6950 J, 6955 K)



• Indicates items included in Hardware Kit (Key 21).

36970-SERIES (Was 6970 J, 6969 J)



• Indicates items included in Hardware Kit (Key 21).

• Indicates parts contained in service kit.

† Indicates parts supplied with base assembly.

** 1/2" threaded outlet port 37050-0001, 1/2" threaded inlet port 37050-0000, 1/2" flare outlet port 37050-0002, 1/2" flare inlet port 37050-0003

NOTE - Includes switch and conversion kit to mount new type switch onto older style -J and -0000 pumps.