

CRANKSHAFT / HARMONIC BALANCER MOUNT

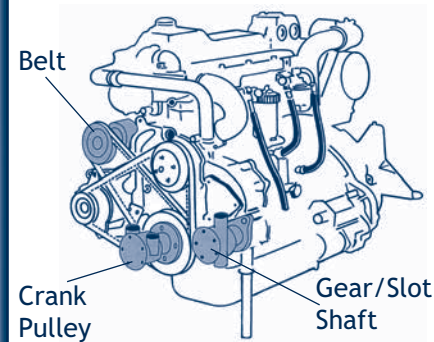
CONTENTS

HIGH SPEED, EFFICIENT MOUNT

Crankshaft/Harmonic balancer mount pumps are specifically designed for high-speed operation (up to 5000 rpm) and are fitted with a drive flange bolted directly to the crankshaft pulley, thus eliminating mounting brackets, belts and pulleys. Since these pumps are only supported by the ball bearing, they must be prevented from rotating by means of a torque arm to prevent the pump housing from turning and damage or disconnect to the inlet and outlet hose.

All of the below models will mount on small and large block Chevy engines.

CRANKSHAFT MOUNTING



PUMPING PRINCIPLES

ENGINE COOLING

ENGINEERING TABLES

TROUBLE-SHOOTING GUIDE

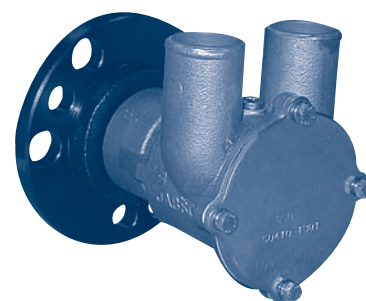
INDEX

BRONZE HOUSING, LARGE, SMALL & 8.1 LITER CHEVY BLOCK

The Jabsco series crankshaft/harmonic balancer mount pumps come in full cam (high flow) and half cam (medium flow) versions with lip or mechanical water seal. The half cam pumps are typically used on "350" small block Chevy engines. The full cam pumps are used on "454" large block Chevy engines and the 50410-1401 and 50410-1501 pumps are used on 8.1 liter Chevy engines. (The replacement impeller for the 50410 series is JA 18777-0001).

Model Number	Seal Type	Chevy	Port Size	Gallons Per Minute at RPM				
				1000	2000	3000	4000	4500
JA 50410-1201	Lip	454 Block	1 1/4" Barb	6.0	17.5	29.0	39.5	43.5
JA 50410-1251	Lip	350 Block	1 1/4" Barb	4.0	12.0	19.0	27.0	30.0
JA 50410-1301	Mech.	454 Block	1 1/4" Barb	6.0	17.5	29.0	39.5	43.5
JA 50410-1351	Mech.	350 Block	1 1/4" Barb	4.0	12.0	19.0	27.0	30.0
JA 50410-1401	Lip	8.1 Liter	1 1/4" Barb	6.0	17.5	29.0	39.5	43.5
JA 50410-1501	Mech.	8.1 Liter	1 1/4" Barb	6.0	17.5	29.0	39.5	43.5

JABSCO



50410 Series

HOME

NEXT

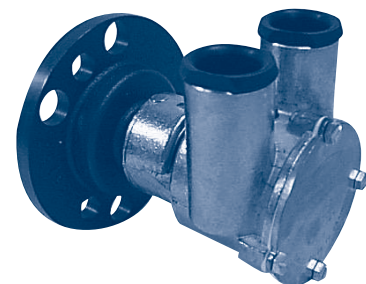
BACK

BRONZE HOUSING, LARGE AND SMALL BLOCK CHEVY

Johnson manufactures two variations to provide raw water cooling for the "350" small block (10-24228-1) and "454" large block (10-24232-1). Chevy engines are commonly used by Volvo, Indmar, Pleasurecraft, Marine Power and many others. Each size is unique and requires different replacement impellers: JS 812B (10-24232-1) / JS 1027B (10-24228-1). See page 103 and 117 for service parts.

Model Number	Port Size	Gallons Per Minute at RPM				
		1000	2000	3000	4000	4500
JS 10-24232-1 (F6B-9)	1 1/4" Barb	9.5	19.0	29.0	34.5	33.0
JS 10-24228-1 (F5B-9)	1 1/4" Barb	5.2	12.0	18.5	24.5	25.5

JOHNSON



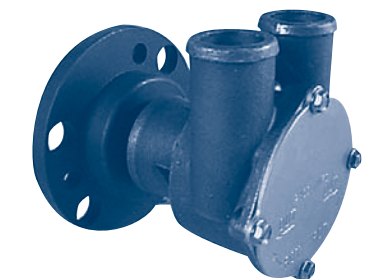
F5B-9 / F6B-9

STAINLESS HOUSING, SMALL BLOCK CHEVY

Sherwood manufactures their pump out of stainless steel with ample flow of raw water for cooling the "350" small block Chevy engines commonly used by Volvo, Indmar, Pleasurecraft, Marine Power and many others. Replacement impeller: 10615K. See page 120 for service parts.

Model Number	Port Size	Gallons Per Minute at RPM				
		1000	2000	3000	4000	4500
SH P105	1 1/4" Barb	9.5	19.5	29.0	32.5	30.0

SHERWOOD



P105