

CONTENTS

"SPO" AND "C" SERIES SERVICE PARTS

(Use SPO-60 for C-60 parts, SPO-80 for C-80 parts, Pressure Switch for C-60 and C-80 is IPS-40)

PUMPING PRINCIPLES

(Use items 1-14 for *Non-Reversing*; Use all items for *Reversing*.)

ENGINE COOLING

ENGINEERING TABLES

TROUBLE-SHOOTING GUIDE

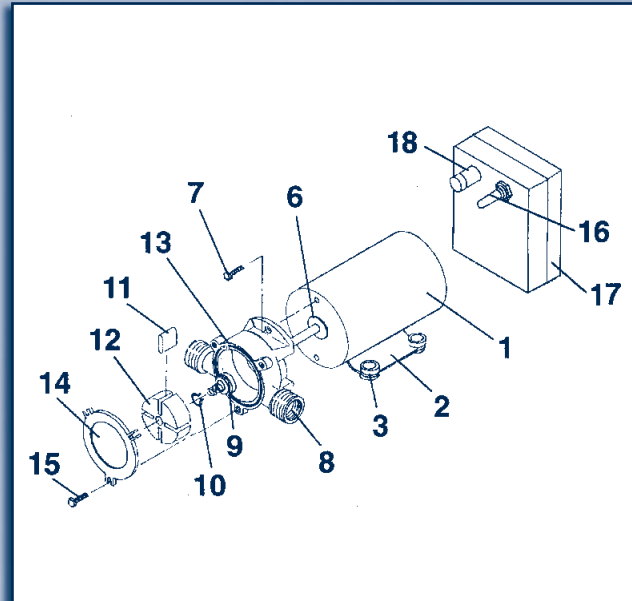
INDEX

HOME

NEXT

BACK

Item	SP-50 (Mfg. 1977-89)	SPO-30 (Mfg. 1962-89)	SPO-40 (Mfg. 1989-Pres.)	BMX3-60 SPO-60 (Mfg. 1989-Pres.)	BMX3-80 SPO-80 (Mfg. 1989-Pres.)	Part Name	Qty.
1	(Voltage)-E**	(Voltage)-F	(Voltage)-R	(Voltage)-F	(Voltage)-R	Motor	1
2	B-200	B-200	B-200	B-200	B-200	Base	1
3	B-200-G	B-200-G	B-200-G	B-200-G	B-200-G	Grommet	4
5	10ETS	10ETS	10ETS	10ETS	10ETS	Lock Washer	2
6	SP-95	SP-95	SP-95	SP-95	SP-95	Slinger	1
7	1032X12HS	1032X12HS	1032X12HS	1032X12HS	1032X12HS	Screw	2
8	SP-50-B	SP-50-B	SP-50-B	SP-49-B	SP-49-B	Body Casting	1
9	031-075-8	031-075-8	031-075-8	69089	69089	Shaft Seal	1
10	-	-	-	Snap Ring-1	Snap Ring-1	Snap Ring	1
11	SP-99	SP-99	SP-99	SP-99	SP-99	Blades Set	4
12	SP-94	SP-94	SP-94	SP-94	SP-94	Rotor	1
13	SP-77	SP-77	SP-77	2-034	2-034	Cover Seal	1
14	SP-91	SP-91	SP-91	SP-91	SP-91	Cover	1
15	1024X12HB	1024X12HB	1024X12HB	1024X12HB	1024X12HB	Screw	3
16	26053-73	26053-73	26053-73	Switch - 4	Switch - 4	Reversing Switch	1
17	-	-	-	Rev-B Assy (Volts)	Rev-B Assy (Volts)	Reversing Control	1
18	-	HKP	HKP	HKP	HKP	Fuse Holder	1
19	832X38RS	832X38RS	832X38RS	832X38RS	832X38RS	Screw	1
P-1			P-5		• Repair Kit		



(**) "E" Series motors are no longer available. Customers with SP-50 series pumps must upgrade to the "F" Series motor.

"WSC" SERIES SERVICE PARTS

Repair Kit	WSC-50 (Mfg. 1985-1989)	WSC-70 (Mfg. 1985-1989)	WSC-60 (Mfg. 1989-Pres.)	WSC-80 (Mfg. 1989-Pres.)	PART NAME	QTY.
1	(Voltage)-F	(Voltage)-F-RAE	(Voltage)-F	(Voltage)-R	Motor	1
2	B-200	B-200	B-200	B-200	Base	1
3	B-200 G	B-200 G	B-200 G	B-200 G	Grommet	4
4	832X38PS	832X38PS	832X38PS	832X38PS	Screw	2
5	10ETS	10ETS	10ETS	10ETS	Lock Washer	4
6	SP-95	SP-95	SP-95	SP-95	Slinger Washer	1
7	1032X12HS	1032X12HS	1032X12HS	1032X12HS	Screw	2
8	SP-50-B	SP-50-B	SP-49-B	SP-49-B	Pump Housing	1
9	031-075-8	031-075-8	69089	69089	Shaft Seal	1
10	--	--	Snap Ring-1	Snap Ring-1	Seal Snap Ring	1
11	SP-98	SP-98	SP-98	SP-98	Blades Set (8)	1
12	SP-99-A	SP-99-A	SP-99-A	SP-99-A	Rotor (8 slots)	1
13	SP-77	SP-77	2-034	2-034	Cover Seal	1
14	SP-91	SP-91	SP-91	SP-91	Cover	1
15	1024X12HB	1024X12HB	1024X12HB	1024X12HB	Screw	3
16	69-WFC	69-WFC	69-WFC (Before S/N 0991) 69-A (S/N 0991-0193) IPS-35 (After S/N 0992) IPS-38 (After S/N 0196) IPS-383 (After S/N -0696) IPS-40 (Current)	69-WFC (After S/N 0991) 69-A (S/N 0991-0193) IPS-40 (After S/N -0193) IPS-38 (After S/N 0196) IPS-383 (After S/N -0696) IPS-40 (Current)	Pressure Switch	1
17	P-9021	P-9021	P-9021A	P-9021A	Check Valve	1
19	GHFX750M	GHFX750M	GHFX750M	GHFX750M	Adaptor	1
20	C-59	C-59	C-59	C-59	Bracket	1
21	1420X12RB	1420X12RB	1420X12RB	1420X12RB	Screw	1
(Not Shown)	Terminal Block-7 C-58	Terminal Block-1 C-58	Terminal Block-7 C-58	Terminal Block-1 C-58	Terminal Block	1
	--	--	ETM (Voltage) (After S/N 0991)	ETM (Voltage) (After S/N 0991)	Dry Tank Control	1
			P-6003 (Voltage) (After S/N 0992)	P-6003 (Voltage) (After S/N 0992)	Solenoid	1
P-1			P-5		• Repair Kit	

