

PAR REPLACEMENT PARTS

CONTENTS

36900 AND 36800 SERIES

PUMPING PRINCIPLES

ENGINE COOLING

ENGINEERING TABLES

TROUBLE-SHOOTING GUIDE

INDEX

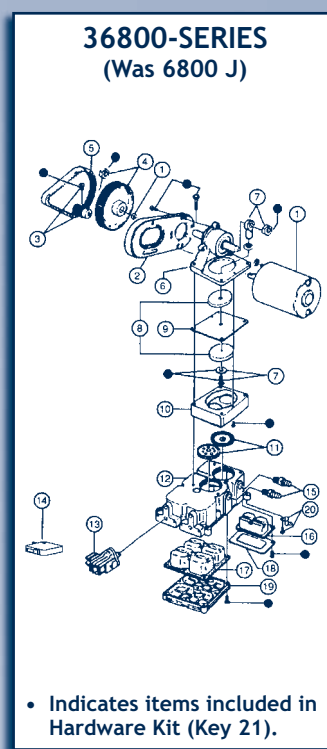
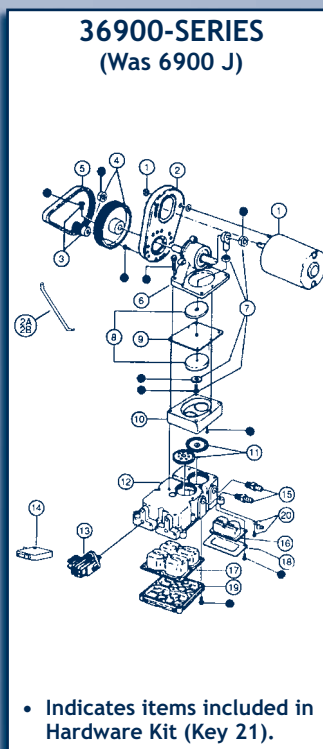
HOME

NEXT

BACK

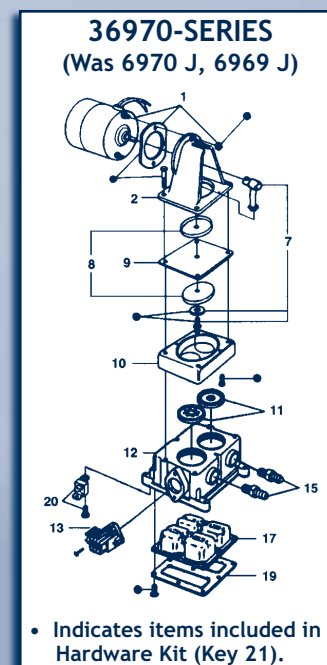
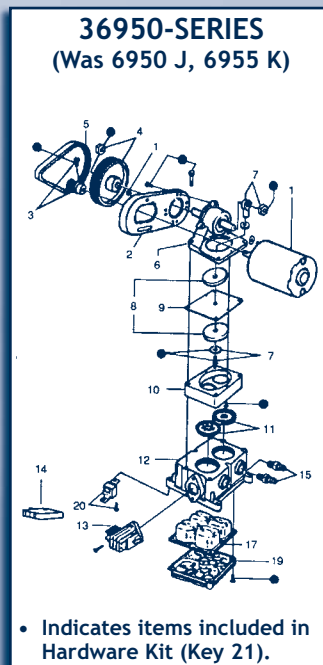
Description	Key	36900 Series		36800 Series	
		Part Number	Qty	Part Number	Qty
Motor Kit	1	30200-0000	1	30200-0000	1
12 Volt D.C.		30200-0010		30200-0010	
24 Volt D.C.		30200-0020		30200-0020	
32 Volt D.C.					
Motor Mount	2	34628-0000	1	34628-0000	
Small Pulley	3	37169-0000	1	37169-0000	1
Large Pulley (w/key)	4	37170-0001	1	37170-0001	1
Belt	5	30021-0000	1	30021-0000	1
Jack Shaft Assembly	6	35690-0001	1	35506-0001	1
Connecting Rod Assembly	7	37173-0001	1	37173-0001	1
Old Style w/Allen Screw Drive		37173-0000		37173-0000	
Diaphragm Plate	8	35212-0000	2	35503-0000	2
Diaphragm	9	30016-0000	1	30015-0000	1
Retainer	10	35173-0000	1	35497-0000	1
Valve Set (Inlet & Outlet)	11	30004-0000	1 set	30004-0000	1 set
Base Assembly (See † Below)	12	35625-1100	† 1	35625-1100	† 1
*Pressure Switch	13	37121-0010	1	37121-0010	1
		37121-0000	See Note	37121-0000	See Note
Microswitch (only)		18753-0141		18753-0141	
Ports (Inlet & Outlet) Barb**	15	37176-0000	† 1 set	37176-0000	† 1 set
Small Pulsation Dampener	16	37177-0000	1	37177-0000	1
Pulsation Dampener	17	37178-0000	1	37178-0000	1
Small Bottom Plate	18	35628-0000	† 1	35628-0000	† 1
Bottom Plate	19	35623-0000	† 1	35623-0000	† 1
Vibration Pad Kit	20	37180-0000	† 1 set	37180-0000	† 1 set
Hardware Kit	21	37165-0001	1 set	37165-0001	1 set
Service Kit		30121-0000	•	30122-0000	•

NOTE: 44814-1000 (20 PSI Pressure Switch)
• Indicates parts contained in service kits.



36950-36970 SERIES

Description	Key	36950 Series			36970 Series		
		Part Number	Qty	Series (1000) (2000)	Part Number	Qty	Series (1000) (2000)
Motor Kit	1	30200-0000	1	X X	30201-0000	1	X X
12 Volt D.C.		30200-0010			30201-0010		
24 Volt D.C.		30200-0020			30202-0020		
32 Volt D.C.							
Motor Mount	2	34628-0000	1	X X	35452-0000	1	X X
Small Pulley	3	37169-0000	1	X X			
Large Pulley (No Keyway)	4	37171-0000	1	X X			
Large Pulley (w/Keyway)	4	37171-0001	1	X X			
Belt	5	30022-0000	1	X X			
Jack Shaft Assembly	6	35689-0001	1	X X			
Connecting Rod Assembly	7	37173-0001	1	X X	30033-0000	1	X X
Old Style w/Allen Screw Drive		37173-0000					
Diaphragm Plate	8	35503-0000	2	X X	35479-0000	1	X X
Diaphragm	9	30015-0000	1	X X	30015-0000	1	X X
Retainer	10	35497-0000	1	X X	35454-0000	1	X X
Valve Set (Inlet & Outlet)	11	30004-0000	† 1 set	X X	30004-0000	† 1 set	X X
Base Assembly †	12	35620-1100	† 1	X	35620-1100	† 1	X X
		44114-1100	† 1	X	44114-1100	† 1	X
Pressure Switch	13	37121-0010	1	X X	37121-0010	1	X
		37121-0000	See Note		37121-0000	See Note	
Microswitch (only)		18753-0141			18753-0141		
Ports (Inlet & Outlet) Barb**	15	37176-0000	† 1 set	X X	37176-0000	1 set	X X
Small Pulsation Dampener	16						
Pulsation Dampener	17	37178-0000	† 1	X	37178-0000	† 1	X
		44127-1000	† 1	X	44127-1000	† 1	X
Small Bottom Plate	18						
Bottom Plate	19	35686-0000	† 1	X X	35686-0000	† 1	X X
Vibration Pad Kit	20	37180-0000	† 1 set	X	37180-0000	† 1 set	X
		43990-0058	† 1 set	X	43990-0058	† 1 set	X
Hardware Kit	21	43990-0071	† 1 set	X	37167-0000	† 1 set	X
		43990-0059	† 1 set	X	43990-0059	† 1 set	X
Service Kit		30126-0000		X	30123-0000		X
		43990-0061		X	43990-0064		X



• Indicates parts contained in service kit.

† Indicates parts supplied with base assembly.

**1/2" threaded outlet port 37050-0001, 1/2" threaded inlet port 37050-0000, 1/2" flare outlet port 37050-0002, 1/2" flare inlet port 37050-0003

NOTE - Includes switch and conversion kit to mount new type switch onto older style -J and -0000 pumps.