

# PAR REPLACEMENT PARTS

CONTENTS

## 37202 SERIES (Was 7202)

PUMPING PRINCIPLES

ENGINE COOLING

ENGINEERING TABLES

TROUBLE-SHOOTING GUIDE

INDEX

HOME

NEXT

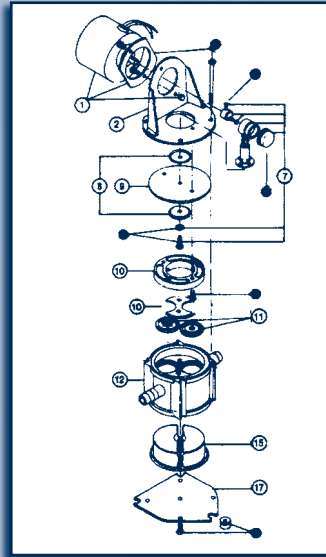
BACK

### NOTE 1:

For Model 37201-0000. Use Replacement Motor Number 30202-0000 (12 Volt Only).

### NOTE 2:

For Model 37201-0000. Use 2 each 35983-0000 diaphragm plates.

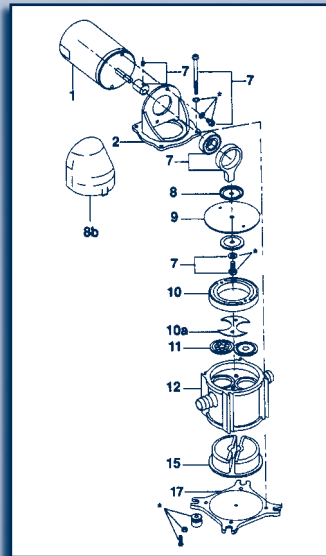


Description	Key	Part Number	Qty
Motor Kit 12 vdc	1	30201-0000 - See Note 1	1
Motor Kit 24 vdc		30200-0010	
Motor Mount	2	35797-0000	1
Connecting Rod Assembly	7	30040-0000*	1
Diaphragm Plates	8	35688-0000 - See Note 2	2
Diaphragm	9	37174-0000*	1
Retainer	10	35788-0000 - Retainer	1
		35816-0000 - Plate	1
Valve Set (Inlet & Outlet)	11	30005-0000*	1 Set
Base Assembly	12	35795-0000	1
Pulsation Dampener	15	37179-0000*	1
Bottom Plate	17	35798-0000	1
Hardware Kit	21	37168-0000	1 Set
Service Kit*		37182-0000*	

\* Indicates parts contained in service kit.

## 37202-2000

New Version with Shroud over Connecting Rod.



Description	Key	Part Number	Qty
Motor Kit 12 vdc	1	50096-1012	1
Motor Kit 24 vdc		50096-1024	
Motor Kit 32 vdc			
Motor Mount	2	50092-1000	1
Connecting Rod Assembly	7	50097-1000	1
Diaphragm Plate	8	35688-0000 *	2
Cover	8b	50093-1000	
Diaphragm	9	37174-0000 *	1
Retainer	10	35788-0000 Retainer	1
	10a	35816-0000 Plate *	1
Valve Set (Inlet & Outlet)	11	30005-0000	1 Set
Base Assembly	12	50098-1000 *	1
Pulsation Dampener	15	37179-0000 *	1
Bottom Plate	17	50094-1000 *	1
Service Kit*		50095-1000	1

\* Indicates parts contained in service kit.

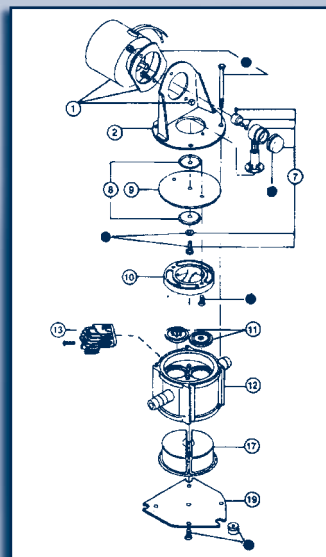
## 37205 / 37215 SERIES (Was 7205 / 7215)

### NOTE 1:

For Model 37205-0000. Use Replacement Motor Number 30202-0000 (12 Volt Only).

### NOTE 2:

Includes switch and conversion kit to mount new type switch onto older style -J and -0000 pumps.



Description	Key	Part Number	Qty
Motor Kit 12 vdc	1	30202-0000 - See Note 1	1
Motor Kit 24 vdc		30202-0010	
Motor Mount	2	35812-0000	1
Connecting Rod Assembly	7	30033-0000*	1
Diaphragm Plate	8	35479-0000	2
Diaphragm	9	37174-0000*	1
Retainer	10	35799-0000	1
Valve Set (Inlet & Outlet)	11	30130-0000*	1 Set
Base Assembly*	12	35787-1000	1
		35790-0000 - for 37205-0000	
Pressure Switch	13	37121-0010	1
		37121-0000 - See Note 2	1
Pulsation Dampener	17	37179-0000*	1
Bottom Plate	19	35798-0000	1
Hardware Kit	21	37168-0000	1 Set
Service Kit for 37205*		30127-0000*	1
Kit for 37215		30127-0000	1

\* Indicates parts contained in service kit.