

Air Operated Double Diaphragm Pump



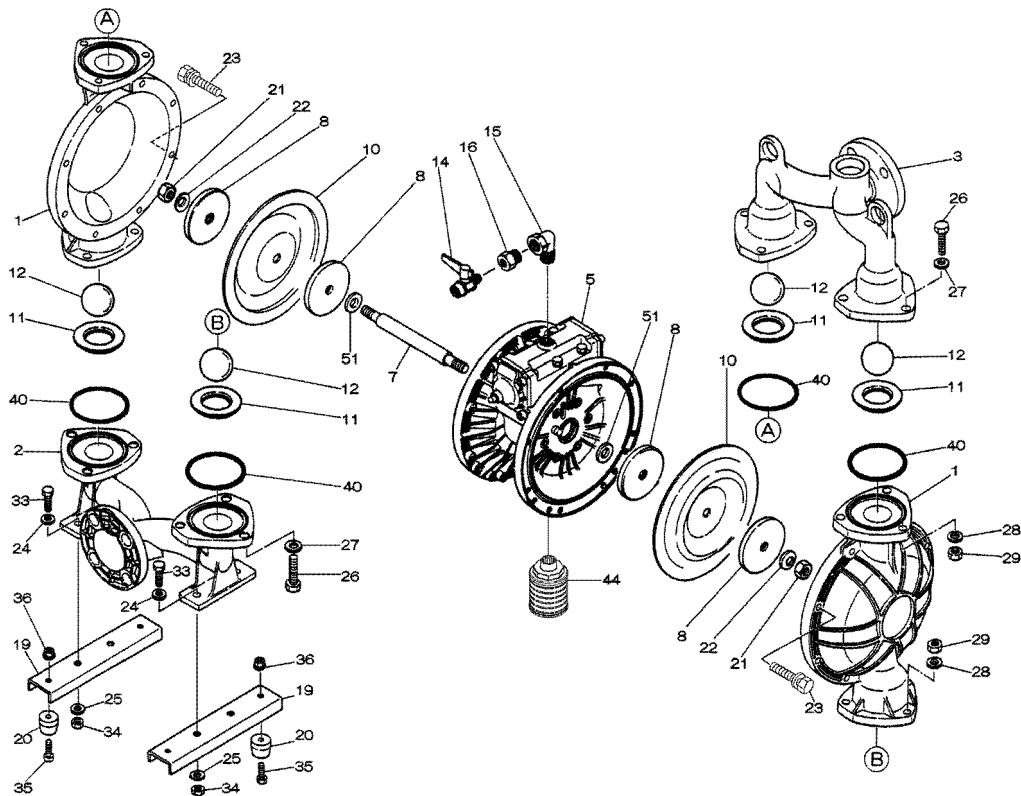
To Purchase:

- 800-990-7867
- sales@yamadapump.com
- Find My Rep

More Information:

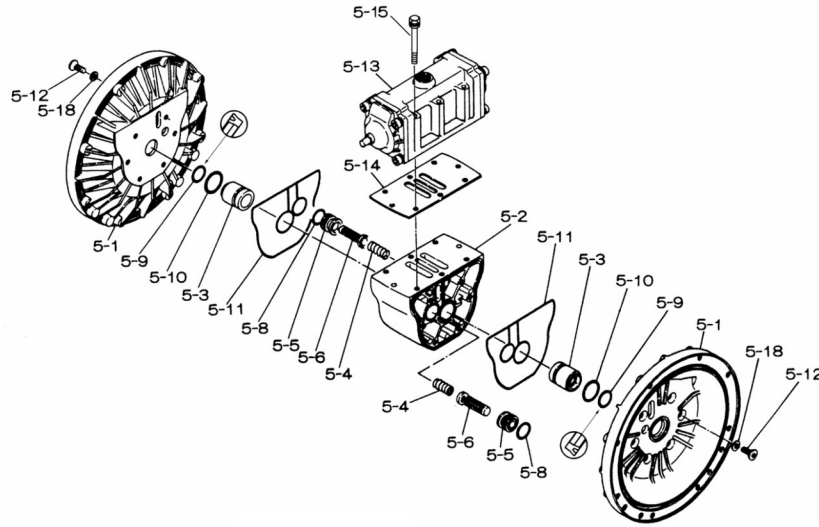
- YouTube: @yamadapump
- yamadapump.com
- Data Sheets | CAD Drawings | Manuals Literature | BOM | Performance Curves

Trial Program

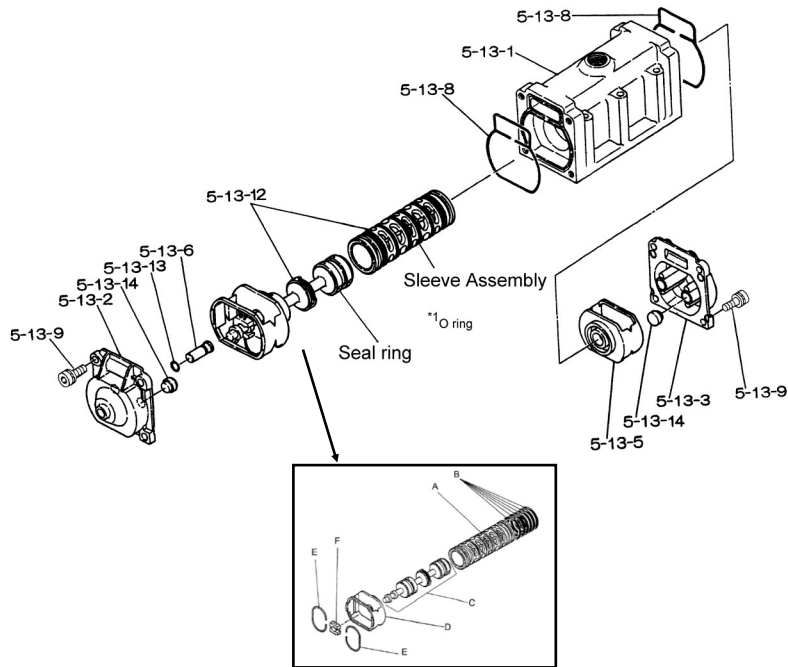


Air Operated Double Diaphragm Pump

■ Body Assembly



■ Valve Body Assembly

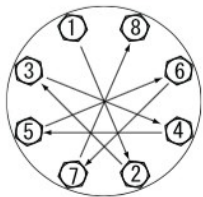


Air Operated Double Diaphragm Pump

	NDP-50BAC	NDP-50BAN	NDP-50BAE	NDP-50BAH	NDP-50BAS	NDP-50BAV			
	852423	852229	852424	852230	852717	852303			
REF. No.	PARTS No.	PARTS No.	PARTS No.	PARTS No.	PARTS No.	PARTS No.	DESCRIPTION	QTY.	REORDER
1	580961	580961	580961	580961	580961	580961	OUT CHAMBER	2	
2	714369	714369	714369	714369	714369	714369	IN MANIFOLD	1	
3	714363	714363	714363	714363	714363	714363	OUT MANIFOLD	1	
5	803112	803112	803112	803112	803112	803112	CENTER BODY ASSY.	1	
5-1	711934	711934	711934	711934	711934	711934	AIR CHAMBER	2	
5-2	711936	711936	711936	711936	711936	711936	BODY	1	
5-3	772689	772689	772689	772689	772689	772689	THROAT BEARING	2	
5-4	711937	711937	711937	711937	711937	711937	PILOT VALVE SPRING	2	
5-5	771740	771740	771740	771740	771740	771740	PILOT VALVE SEAT	2	
5-6	832162	832162	832162	832162	832162	832162	PILOT VALVE ASSY.	2	
5-8	640020	640020	640020	640020	640020	640020	O-RING	2	
5-9	685444	685444	685444	685444	685444	685444	V-PACKING	2	
5-10	640029	640029	640029	640029	640029	640029	O-RING	2	
5-11	771742	771742	771742	771742	771742	771742	GASKET	2	
5-12	683812	683812	683812	683812	683812	683812	FLAT SOCKET	12	
5-13	802971	802971	802971	802971	802971	802971	VALVE BODY ASSY.	1	
5-13-1	711931	711931	711931	711931	711931	711931	VALVE BODY	1	
5-13-2	580999	580999	580999	580999	580999	580999	CAP A	1	
5-13-3	581000	581000	581000	581000	581000	581000	CAP B	1	
5-13-5	771735	771735	771735	771735	771735	771735	SPRING RETAINER	1	
5-13-6	712976	712976	712976	712976	712976	712976	RESET BUTTON	1	
5-13-8	771738	771738	771738	771738	771738	771738	GASKET	2	
5-13-9	685036	685036	685036	685036	685036	685036	SOCKET BOLT	8	
5-13-12	805084	805084	805084	805084	805084	805084	C-SPOOL ASSY	1	
A	803675	803675	803675	803675	803675	803675	SLEEVE ASSY	1	
B	640036	640036	640036	640036	640036	640036	O-RING	6	
C	805085	805085	805085	805085	805085	805085	SPOOL ASSY	1	
D	771735	771735	771735	771735	771735	771735	SPRING RETAINER	1	
E	711932	711932	711932	711932	711932	711932	C-SPRING	2	
F	771734	771734	771734	771734	771734	771734	BLOCK	1	
5-13-13	640005	640005	640005	640005	640005	640005	O-RING	1	
5-13-14	684128	684128	684128	684128	684128	684128	CUSHION	4	
5-14	771712	771712	771712	771712	771712	771712	GASKET	1	
5-15	684240	684240	684240	684240	684240	684240	BOLT W/WASHERS	6	
5-18	684987	684987	684987	684987	684987	684987	WASHER	12	
7	711900	711900	711900	711900	711900	711900	CENTER ROD	1	
8	711904	711904	711904	711904	711904	711904	CENTER DISC	4	
10	771855	771702	771856	771703	771976	771800	DIAPHRAGM	2	
11	771957	771995	771949	771794	772004	771987	VALVE SEAT	4	
12	770627	770630	770633	773143	773173	770636	BALL	4	
14	684322	684322	684322	684322	684322	684322	BALL VALVE	1	
15	682523	682523	682523	682523	682523	682523	ELBOW	1	
19	711928	711928	711928	711928	711928	711928	BASE	2	
20	771402	771402	771402	771402	771402	771402	FOOT RUBBER	4	
21	683408	683408	683408	683408	683408	683408	NUT	2	
22	682740	682740	682740	682740	682740	682740	WASHER	2	
23-a	686162	686162	686162	686162	686162	686162	BOLT	16	
23-b	631917	631917	631917	631917	631917	631917	WAVE WASHER	16	

Air Operated Double Diaphragm Pump

	NDP-50BAC	NDP-50BAN	NDP-50BAE	NDP-50BAH	NDP-50BAS	NDP-50BAV			
	852423	852229	852424	852230	852717	852303			
REF. No.	PARTS No.	PARTS No.	PARTS No.	PARTS No.	PARTS No.	PARTS No.	DESCRIPTION	QTY.	REORDER
24	631014	631014	631014	631014	631014	631014	FLAT WASHER	4	
25	631917	631917	631917	631917	631917	631917	WAVE WASHER	4	
26	611203	611203	611203	611203	611203	611203	BOLT	12	
27	631015	631015	631015	631015	631015	631015	FLAT WASHER	12	
28	631918	631918	631918	631918	631918	631918	WAVE WASHER	12	
29	627014	627014	627014	627014	627014	627014	NUT	12	
33	611175	611175	611175	611175	611175	611175	BOLT	4	
34	627013	627013	627013	627013	627013	627013	NUT	4	
35	611149	611149	611149	611149	611149	611149	BOLT	4	
36	682276	682276	682276	682276	682276	682276	NUT W/FLANGE	4	
40	640069	640069	684122	640069	684122	642069	O-RING	4	
44	804764	804764	804764	804764	804764	804764	SILENCER ASSY.	1	
51	770582	770582	770582	770582	770582	770582	CUSHION	2	
KIT	K50-MC	K50-MN	K50-ME	K50-MH	K50-MS	K50-MV	LIQUID SIDE KIT		
KIT	K45-AM						AIR MOTOR KIT		



Tightening torque for center rod and out chambers.

Center Rod 43 ft-lbf {60 N-m}
Out Chambers 29 ft-lbf {40 N-m}

Tightening torque for manifold retainer bolts.

BAC/E/H/N/S/V 15 ft-lbf {20 N-m}

General Tools:

- Socket wrenches - 24mm
- Hexagonal box wrench - 5mm, 6mm
- Small crowbars - 2 (C/N/E/V)
- Open-end wrenches - 19mm, 24mm
- Plastic hammer

Special Tools:

- Sleeve remover (713180) used for removing the sleeve. (sold separately)

Miscellaneous:

- Assembly Oil - turbine oil none additional class 1 (equivalent to ISA VGA32 grade)
- Nuts - M16 x 1.5
- Thread locker
- Urea grease grade (NLGI) No. 2

Customer Notes	
Model #:	_____
Description:	_____
Serial #:	_____
Date Installed:	_____
Department Location:	_____
Tag/Project:	_____