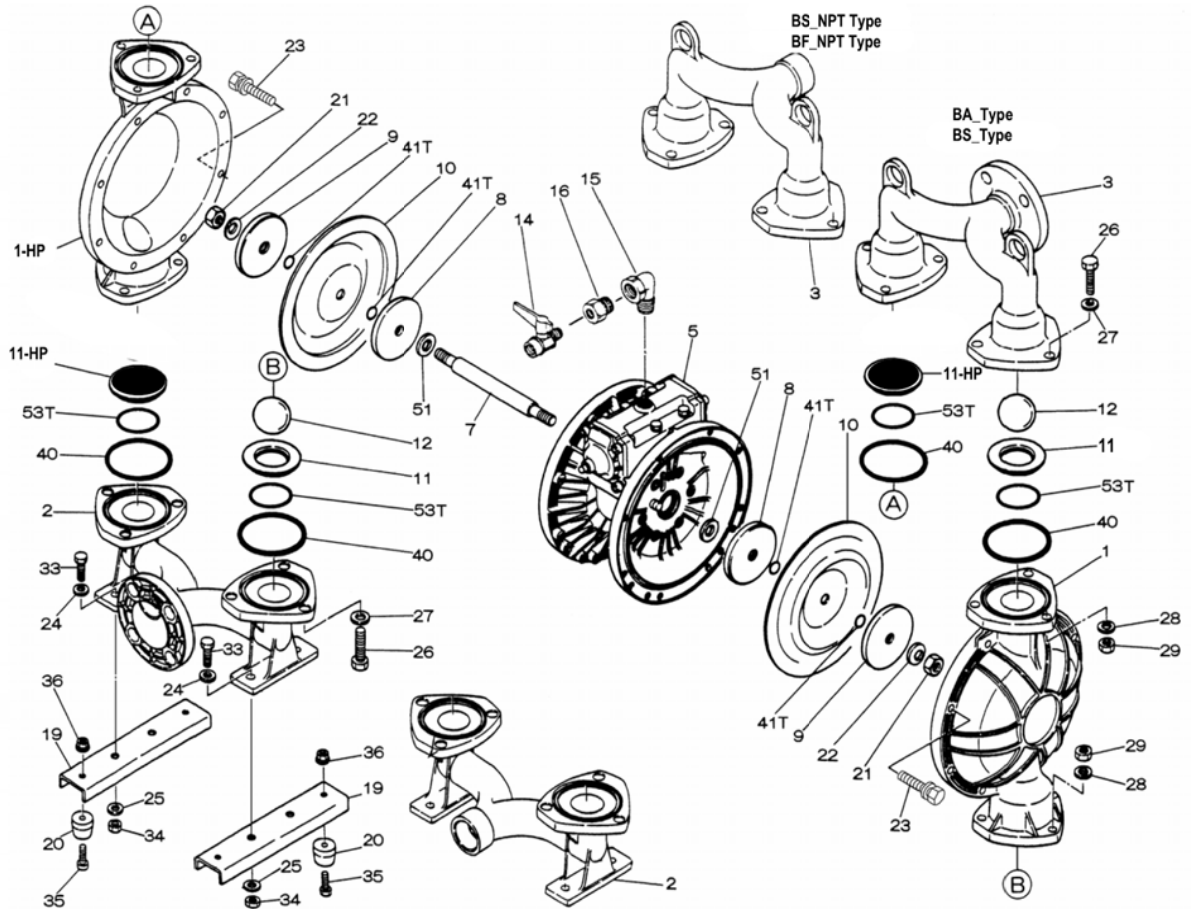


Air Operated Double Diaphragm Pump



Air Operated Double Diaphragm Pump

Parts List ?NDP-40 ?50BA?,BS?,BF?-HP

No.	NDP-40BA?	NDP-40BS?	NDP-40BF?	NDP-50BA?	NDP-50BS?	NDP-50BF?	Description	Q'ty	
1	580960	712931	713156	580961	712932	713157	Out Chamber	1	
1-HP	580960-HP	712931-HP	713156-HP	580961-HP	712932-HP	713157-HP	Out Chamber - HP	1	
2	714367	712599	N/A	714369	712557	N/A	In Manifold - Flange	1	
		712601	713168		712559	713169	In Manifold - NPT	1	
3	714361	712598	N/A	714363	712556	N/A	Out Manifold - Flange	1	
		712600	713165		712558	713166	Out Manifold - NPT	1	
5	803111	803111	803111	803112	803112	803112	Body Assembly	1	
7	711900	711900	711900	711900	711900	711900	Center Rod	1	
8	711902							Center Disk	4
		711902	711902	711902	711904	711904	711904	Center Disk	2
9	N/A	711903	713369	N/A	711905	713370	Center Disk	2	
10	C	771853	771853	771853	771855	771855	Diaphragm - Neoprene	2	
	N	771700	771700	771700	771702	771702	Diaphragm - Buna N	2	
	E	771854	771854	771854	771856	771856	Diaphragm - EPDM	2	
	V	771799	771799	771799	771800	771800	Diaphragm - Viton	2	
	H	771701	771701	771701	771703	771703	Diaphragm - Hytrel	2	
	S	771975	771975	771975	771976	771976	Diaphragm - Santoprene	2	
11	C	771956	771956	771956	771957	771957	Valve Seat	2	
	N	771994	771994	771994	771995	771995	Valve Seat	2	
	E	771921	771921	771921	771949	771949	Valve Seat	2	
	V	771997	771997	771997	771987	771987	Valve Seat	2	
	H	771793	771793	771793	771794	771794	Valve Seat	2	
	S	772003	772003	772003	772004	772004	Valve Seat	2	
11-HP	711908-HP	711908-HP	711908-HP	711909-HP	711909-HP	711909-HP	Valve Seat - HP	2	
12	C	770550	770550	770550	770627	770627	Ball	2	
	N	770584	770584	770584	770630	770630	Ball	2	
	E	770593	770593	770593	770633	770633	Ball	2	
	V	770602	770602	770602	770636	770636	Ball	2	
	H	770584	770584	770584	770630	770630	Ball	2	
	S	770593	770593	770593	770633	770633	Ball	2	
14	684321	684321	684321	684322	684322	684322	Ball Valve	1	
15	682523	682523	682523	682523	682523	682523	Elbow	1	
16	684339	684339	684339	N/A	N/A	N/A	Bushing	1	
19	711911	711911	711911	711928	711928	711928	Pump Base	2	
20	771402	771402	771402	771402	771402	771402	Cushion	4	
21	C	683408	683408	683408	683408	683408	Nut	2	
	N	683408	683408	683408	683408	683408	Nut	2	
	E	683408	683408	683408	683408	683408	Nut	2	
	V	706128	706128	706128	706128	706128	Nut	2	
	H	683408	683408	683408	683408	683408	Nut	2	
	S	683408	683408	683408	683408	683408	Nut	2	
22	682740	682740	682740	682740	682740	682740	Coned Disk Spring	2	
23	686162	621180	686160	686162	621180	686160	Bolt	16	
23a	621917	631937	631917	631917	631937	631917	Wave Spring Washer	16	
24	631014	631174	631014	631014	631174	631014	Plain Washer	4	
25	631917	631937	631917	631917	631937	631917	Wave Washer	4	
26	611203	621202	611202	611203	621202	611202	Bolt	12	
27	631015	631175	631015	631015	631175	631015	Plain Washer	12	
28	631918	631938	631918	631918	631938	631918	Wave Spring Washer	12	
29	627014	628014	627014	627014	628014	627014	Nut	12	
33	611175	621175	611175	611177	621175	611175	Bolt	4	
34	627013	628013	627013	627013	628013	627013	Nut	4	
35	611149	611149	611149	611149	611149	611149	Bolt	4	
36	682276	682276	682276	682276	682276	682276	Nut with Flange	4	
40	C	640065	640065	640065	640069	640069	O-Ring	4	
	N	640065	640065	640065	640069	640069	O-Ring	4	
	E	683999	683999	683999	684122	684122	O-Ring	4	
	V	642065	642065	642065	642069	642069	O-Ring	4	
	H	640065	640065	640065	640069	640069	O-Ring	4	
	S	683999	683999	683999	684122	684122	O-Ring	4	
51	770582	770582	770582	770582	770582	770582	Cushion	2	

Not Shown: Hose Assembly with fittings

Air Operated Double Diaphragm Pump

Parts List ?NDP-80BA?,BS?,BF?-HP

No.	NDP-80BA ?	NDP-80BS ?	NDP-80BF ?	Description	Q'ty	
1	580962	712933	713158	Out Chamber	1	
1-HP	580962-HP	712933-HP	713158-HP	Out Chamber - HP	1	
2	714371	712603	N/A	In Manifold - Flange	1	
		712605	713170	In Manifold - NPT	1	
3	714365	712602	N/A	Out Manifold - Flange	1	
		712904	713167	Out Manifold - NPT	1	
5	803113	803113	803113	Body Assembly*	1	
7	711901	711901	711901	Center Rod	1	
8	711906	711906	711906	Center Disk	4	
		711906	711906	Center Disk	2	
9		711907	713371	Center Disk	2	
10	C	771857	771857	771857	Diaphragm - Neoprene	2
	N	771704	771704	771704	Diaphragm - Buna N	2
	E	771858	771858	771858	Diaphragm - EPDM	2
	V	771801	771801	771801	Diaphragm - Viton	2
	H	771705	771705	771705	Diaphragm - Hytrel	2
	S	771977	771977	771977	Diaphragm - Santoprene	2
11	C	771958	771958	771958	Valve Seat	2
	N	771996	771996	771996	Valve Seat	2
	E	771999	771999	771999	Valve Seat	2
	V	771998	771998	771998	Valve Seat	2
	H	771795	771795	771795	Valve Seat	2
	S	772005	772005	772005	Valve Seat	2
11-HP	711910-HP	711910-HP	711910-HP	Valve Seat - HP	2	
12	C	770559	770559	770559	Ball	2
	N	770587	770587	770587	Ball	2
	E	770596	770596	770596	Ball	2
	V	770605	770605	770605	Ball	2
	H	770587	770587	770587	Ball	2
	S	770596	770596	770596	Ball	2
14	684322	684322	684322	Ball Valve	1	
15	682523	682523	682523	Elbow	1	
19	711912	711912	711912	Pump Base	2	
20	771402	771402	771402	Cushion	4	
21	C	683408	683408	683408	Nut	2
	N	683408	683408	683408	Nut	2
	E	683408	683408	683408	Nut	2
	V	709144	709144	709144	Nut	2
	H	683408	683408	683408	Nut	2
	S	683408	683408	683408	Nut	2
22	682740	682740	682740	Coned Disk Spring	2	
23	686163	621182	686161	Bolt	20	
23a	631917	631937	631917	Washer	20	
24	631014	631174	631014	Plain Washer	4	
25	631917	631937	631917	Wave Washer	4	
26	611204	621203	611204	Bolt	16	
27	631015	631175	631015	Plain Washer	16	
28	631918	631938	631918	Wave Spring Washer	16	
29	627014	628014	627014	Nut	16	
33	611177	621177	611177	Bolt	4	
34	627013	628013	627013	Nut	4	
35	611149	611149	611149	Bolt	4	
36	682276	682276	682276	Nut with Flange	4	
40	C	640078	640078	640078	O-Ring	4
	N	640078	640078	640078	O-Ring	4
	E	684124	684124	684124	O-Ring	4
	V	642078	642078	642078	O-Ring	4
	H	640078	640078	640078	O-Ring	4
	S	684124	684124	684124	O-Ring	4
42	686164	686164	686164	Bolt	4	
42a	631917	631917	631917	Washer	4	

Not Shown: Hose Assembly with fittings

Air Operated Double Diaphragm Pump

Model: NDP-40/50/80

Body Assembly

No.	NDP-40	NDP-50	NDP-80	Description	Qty
	803111	803112	803113		
5-1	711933	711934	711935	Air Chamber	2
5-2	711936-HP	711936-HP	711936-HP	Body	1
5-3	772689	772689	772689	Throat Bearing	2
5-4	711937	711937	711937	Spring	2
5-5	771740	771740	771740	Valve Seat	2
5-6	832162	832162	832163	Pilot Valve Assy.	2
5-8	640020	640020	640020	O-ring	2
5-9	685444	685444	685444	Packing	2
5-10	640029	640029	640029	O-ring	2
5-11	771742	771742	771742	Gasket	2
5-12	683812	683812	683812	Flat Head Bolt	12
5-13	802971	802971	802971	Valve Body Assembly	1
5-14	771712	771712	771712	Gasket	1
5-15	684240	684240	684240	Bolt	6
5-18	684987	684987	684987	Plain Washer	12

802971 Valve Body Assembly

Ref. No.	Description	Qty	Part No.
5-13-1	Valve Body	1	711931
5-13-2	Cap A	1	580999
5-13-3	Cap B	1	581000
5-13-5	Spring Stopper	1	771735
5-13-6	Reset Button	1	712976
5-13-8	Gasket	2	771738
5-13-9	Bolt	8	685036
5-13-12	C Spool Valve Assy.	1	805084
5-13-12 *1 Sleeve	Sleeve Assembly	1	803675
5-13-13	O-ring	1	640005
5-13-14	Cushion	4	684128